

# FP flange plates for cable entry systems

suitable for numerous Rittal enclosures / IP54 - IP66



IP54

IP55

IP64

IP65

IP66

RoHS  
compliant



Made in  
Germany

The flange plates are pre-cut, pre-drilled, painted and can be installed in combination with a cable entry system for either pre-terminated cables or cables without connectors.

We supply complete flange plates FP-AE and FP-AX with 86/112 × 36 mm cut-outs for compact Rittal enclosures of the AE / AX series. The cut-outs, as well as the drilling template, conform to the standard cut-outs for 16/24-pin industrial connectors.

The flange plates type FP-BG, designed to fit the Rittal BG series enclosures, have up to 3 cut-outs that match the dimensions of the standard cut-outs for the 24-pin industrial connectors.

The FP flange plates type KX / KL, designed to fit the Rittal KX / KL series terminal boxes are offered with different cut-outs numerous icotek cable entry products.

All flange plates are RAL 7035 powder-coated. Please use the gaskets of the standard plates.

Enclosures are supplied with gaskets and screws. Most of the flange plates are equipped with threaded passages. This saves a lot of time during assembly.

We recommend fastening the cable entry systems with a torque of 1.5 - 2.0 Nm.

## Specifications

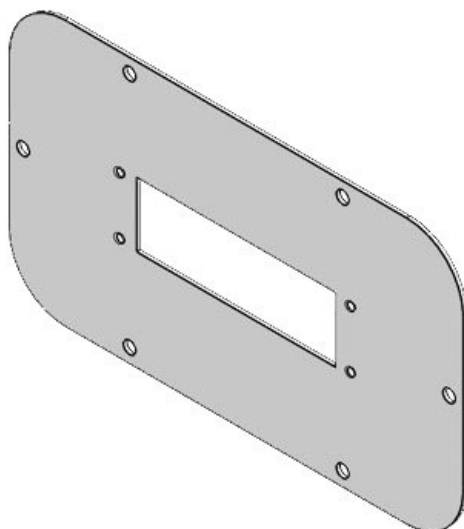
<b>IP rating (EN 60529)</b>	IP54, IP55, IP64, IP65, IP66
<b>Material</b>	Sheet steel, powder coated

## Advantages & benefits

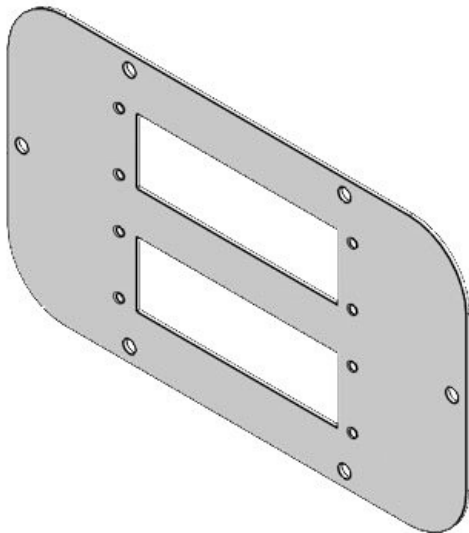
- No additional sheet metal work required
- High cable density
- Reduce labour costs by using cable entry systems compared to the assembly of conventional cable glands

## Product types & sizes

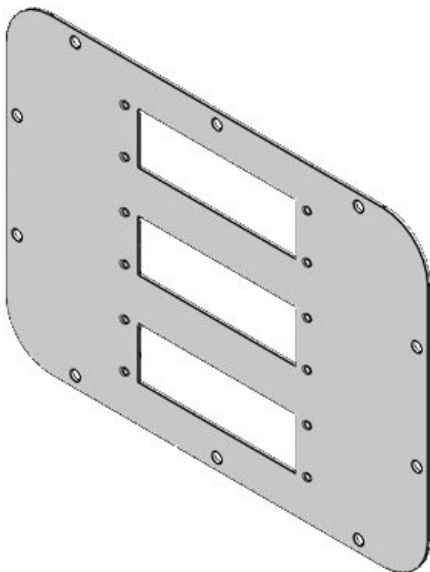
FP-AX 256|149-1



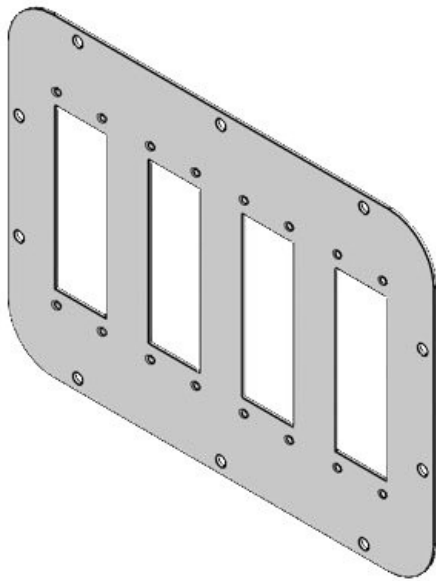
Part No.	<b>43901</b>	Flange plate size	<b>1</b>
EAN	<b>4251269321</b>	Cut-out size	<b>112 × 36 mm</b>
Package quantity	<b>351</b>	Suitable for cable entry systems:	<b>KEL-ER 24, KEL 24, KEL-U 24, KEL-FA 24, KEL-FG A, KEL-FG-ER A, KEL-QUICK 24, KEL-QTA 24, KEL-BES 24, KEL-BES-S 24, KEL-DPZ 24, KEL-DPU 24, KEL-DPU-HD 24, KEL-DP 24</b>
Colour	<b>grey (RAL 7035)</b>	Suitable for enclosure	<b>Rittal AX</b>
Length	<b>256 mm</b>		
Width	<b>149 mm</b>		
Height	<b>2 mm</b>		



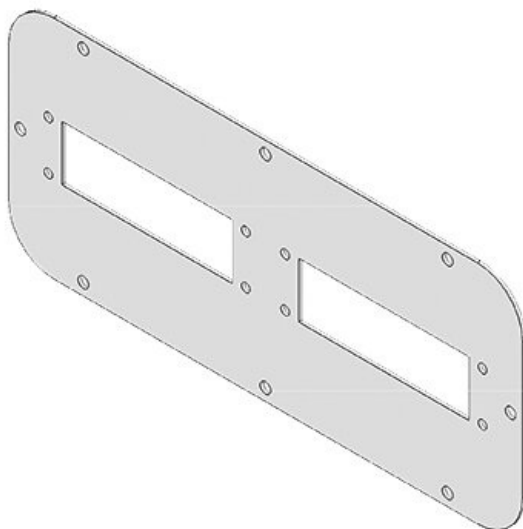
Part No.	<b>43902</b>	Flange plate size	<b>1</b>
EAN	<b>4251269321368</b>	Cut-out size	<b>112 × 36 mm</b>
Package quantity	<b>1</b>	Suitable for cable entry systems:	<b>KEL-ER 24, KEL 24, KEL-U 24, KEL-FA 24, KEL-FG A, KEL-FG-ER A, KEL-QUICK 24, KEL-QTA 24, KEL-BES 24, KEL-BES-S 24, KEL-DPZ 24, KEL-DPU 24, KEL-DPU-HD 24, KEL-DP 24</b>
Colour	<b>grey (RAL 7035)</b>		<b>Rittal AX</b>
Length	<b>256 mm</b>	Suitable for enclosure	
Width	<b>149 mm</b>		
Height	<b>2 mm</b>		



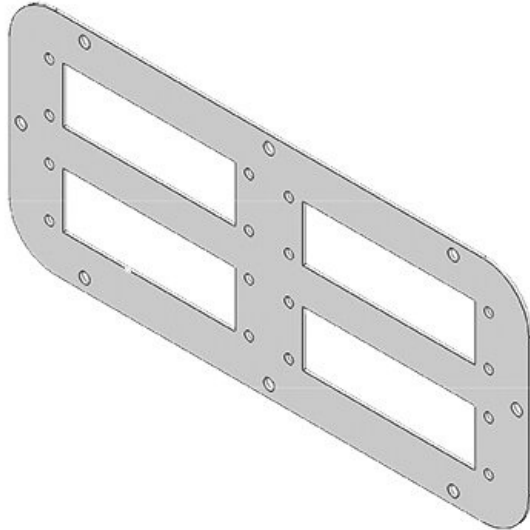
Part No.	<b>43905</b>	Flange plate size	<b>5</b>
EAN	<b>4251269321399</b>	Cut-out size	<b>112 × 36 mm</b>
Package quantity	<b>1</b>	Suitable for cable entry systems:	<b>KEL-ER 24, KEL 24, KEL-U 24, KEL-FA 24, KEL-FG A, KEL-FG-ER A, KEL-QUICK 24, KEL-QTA 24, KEL-BES 24, KEL-BES-S 24, KEL-DPZ 24, KEL-DPU 24, KEL-DPU-HD 24, KEL-DP 24</b>
Colour	<b>grey (RAL 7035)</b>		<b>Rittal AX</b>
Length	<b>301 mm</b>	Suitable for enclosure	
Width	<b>221 mm</b>		
Height	<b>2 mm</b>		



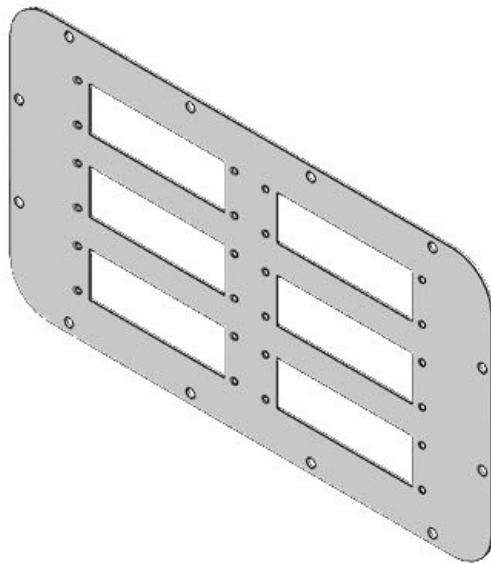
Part No.	<b>43906</b>	Flange plate size	<b>5</b>
EAN	<b>4251269321</b>	Cut-out size	<b>112 × 36 mm</b>
Package quantity	<b>405</b>	Suitable for cable entry systems:	<b>KEL-ER 24, KEL 24, KEL-U 24, KEL-FA 24, KEL-FG A, KEL-FG-ER A, KEL-QUICK 24, KEL-QTA 24, KEL-BES 24, KEL-BES-S 24, KEL-DPZ 24, KEL-DPU 24, KEL-DPU-HD 24, KEL-DP 24</b>
Colour	<b>grey (RAL 7035)</b>		<b>Rittal AX</b>
Length	<b>301 mm</b>	Suitable for enclosure	
Width	<b>221 mm</b>		
Height	<b>2 mm</b>		



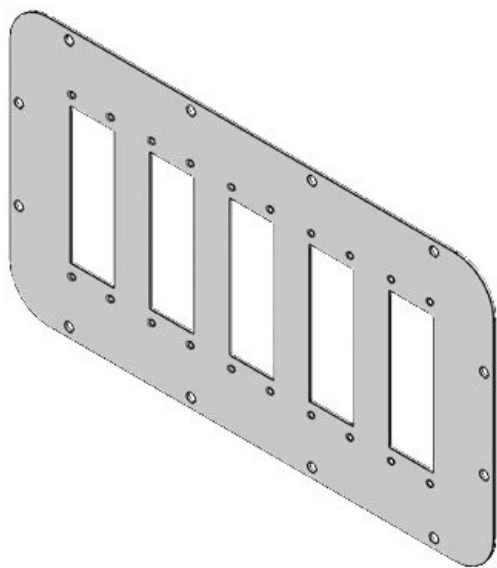
Part No.	<b>43840</b>	Flange plate size	<b>2</b>
EAN	<b>4251269310</b>	Cut-out size	<b>112 × 36 mm</b>
Package quantity	<b>768</b>	Suitable for cable entry systems:	<b>KEL-ER 24, KEL 24, KEL-U 24, KEL-FA 24, KEL-FG A, KEL-FG-ER A, KEL-QUICK 24, KEL-QTA 24, KEL-BES 24, KEL-BES-S 24, KEL-DPZ 24, KEL-DPU 24, KEL-DPU-HD 24, KEL-DP 24</b>
Colour	<b>grey (RAL 7035)</b>		<b>Rittal TP, Rittal CS, Rittal AE</b>
Length	<b>339 mm</b>	Suitable for enclosure	
Width	<b>149 mm</b>		
Height	<b>2 mm</b>		



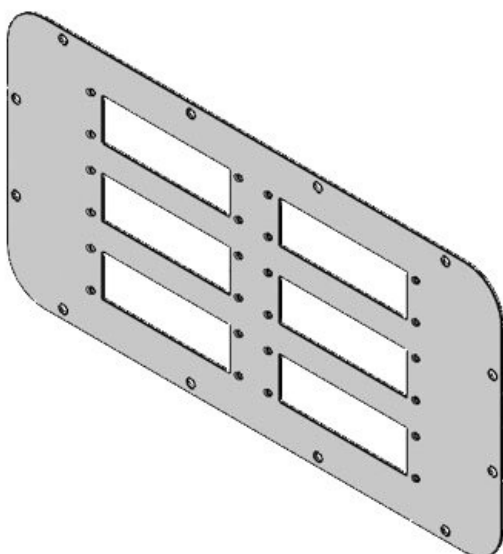
Part No.	<b>43846</b>	Flange plate size	<b>2</b>
EAN	<b>4251269310782</b>	Cut-out size	<b>112 × 36 mm</b>
Package quantity	<b>1</b>	Suitable for cable entry systems:	<b>KEL-ER 24, KEL 24, KEL-U 24, KEL-FA 24, KEL-FG A, KEL-FG-ER A, KEL-QUICK 24, KEL-QTA 24, KEL-BES 24, KEL-BES-S 24, KEL-DPZ 24, KEL-DPU 24, KEL-DPU-HD 24, KEL-DP 24</b>
Colour	<b>grey (RAL 7035)</b>	Suitable for enclosure	<b>Rittal TP, Rittal CS, Rittal AE</b>
Length	<b>339 mm</b>		
Width	<b>149 mm</b>		
Height	<b>2 mm</b>		



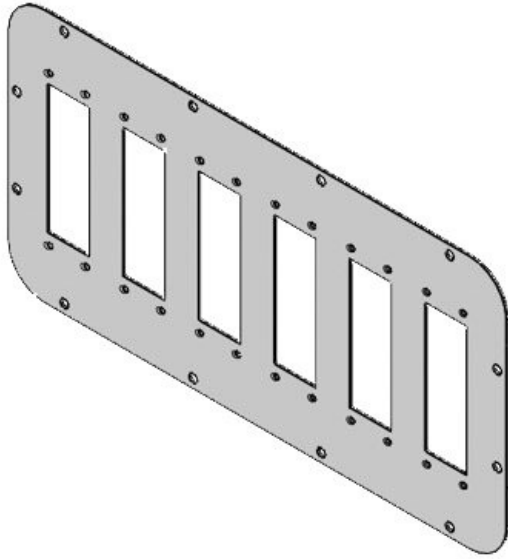
Part No.	<b>43907</b>	Flange plate size	<b>6</b>
EAN	<b>4251269321412</b>	Cut-out size	<b>112 × 36 mm</b>
Package quantity	<b>1</b>	Suitable for cable entry systems:	<b>KEL-ER 24, KEL 24, KEL-U 24, KEL-FA 24, KEL-FG A, KEL-FG-ER A, KEL-QUICK 24, KEL-QTA 24, KEL-BES 24, KEL-BES-S 24, KEL-DPZ 24, KEL-DPU 24, KEL-DPU-HD 24, KEL-DP 24</b>
Colour	<b>grey (RAL 7035)</b>	Suitable for enclosure	<b>Rittal AX</b>
Length	<b>401 mm</b>		
Width	<b>221 mm</b>		
Height	<b>2 mm</b>		



Part No.	<b>43908</b>	Flange plate size	<b>6</b>
EAN	<b>4251269321</b>	Cut-out size	<b>112 × 36 mm</b>
Package quantity	<b>1</b>	Suitable for cable entry systems:	<b>KEL-ER 24, KEL-24, KEL-U 24, KEL-FA 24, KEL-FG A, KEL-FG-ER A, KEL-QUICK 24, KEL-QTA 24, KEL-BES 24, KEL-BES-S 24, KEL-DPZ 24, KEL-DPU 24, KEL-DPU-HD 24, KEL-DP 24</b>
Colour	<b>grey (RAL 7035)</b>		<b>Rittal AX</b>
Length	<b>401 mm</b>		
Width	<b>221 mm</b>		
Height	<b>2 mm</b>		
		Suitable for enclosure	



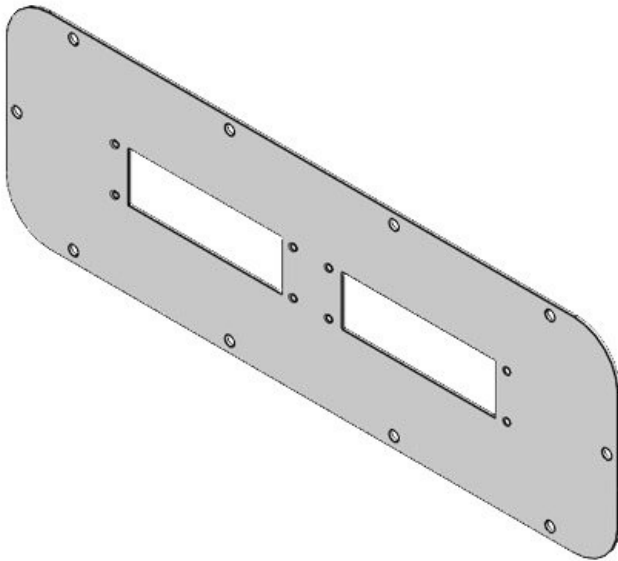
Part No.	<b>43909</b>	Flange plate size	<b>7</b>
EAN	<b>4251269321</b>	Cut-out size	<b>112 × 36 mm</b>
Package quantity	<b>1</b>	Suitable for cable entry systems:	<b>KEL-ER 24, KEL-24, KEL-U 24, KEL-FA 24, KEL-FG A, KEL-FG-ER A, KEL-QUICK 24, KEL-QTA 24, KEL-BES 24, KEL-BES-S 24, KEL-DPZ 24, KEL-DPU 24, KEL-DPU-HD 24, KEL-DP 24</b>
Colour	<b>grey (RAL 7035)</b>		<b>Rittal AX</b>
Length	<b>436 mm</b>		
Width	<b>221 mm</b>		
Height	<b>2 mm</b>		
		Suitable for enclosure	



Part No.	<b>43910</b>	Flange plate	<b>7</b>
EAN	<b>4251269321</b>	size	
	<b>443</b>	Cut-out size	<b>112 × 36 mm</b>
Package quantity	<b>1</b>	Suitable for cable entry systems:	<b>KEL-ER 24, KEL-24, KEL-U 24, KEL-FA 24, KEL-FG 24, KEL-FG-ER A, KEL-FG-ER A, KEL-QUICK 24, KEL-QTA 24, KEL-BES 24, KEL-BES-S 24, KEL-DPZ 24, KEL-DPU 24, KEL-DPU-HD 24, KEL-DP 24</b>
Colour	<b>grey (RAL 7035)</b>		
Length	<b>436 mm</b>		
Width	<b>221 mm</b>		
Height	<b>2 mm</b>		

Suitable for enclosure

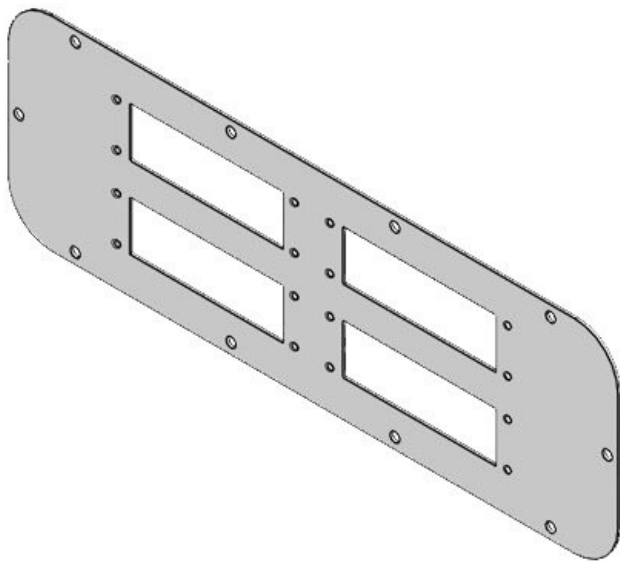
**Rittal AX**



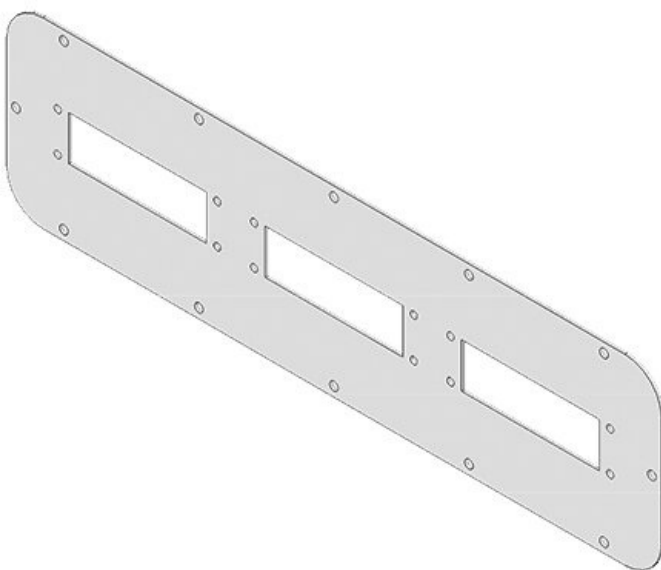
Part No.	<b>43903</b>	Flange plate	<b>3</b>
EAN	<b>4251269321</b>	size	
	<b>375</b>	Cut-out size	<b>112 × 36 mm</b>
Package quantity	<b>1</b>	Suitable for cable entry systems:	<b>KEL-ER 24, KEL-24, KEL-U 24, KEL-FA 24, KEL-FG 24, KEL-FG-ER A, KEL-FG-ER A, KEL-QUICK 24, KEL-QTA 24, KEL-BES 24, KEL-BES-S 24, KEL-DPZ 24, KEL-DPU 24, KEL-DPU-HD 24, KEL-DP 24</b>
Colour	<b>grey (RAL 7035)</b>		
Length	<b>447 mm</b>		
Width	<b>149 mm</b>		
Height	<b>2 mm</b>		

Suitable for enclosure

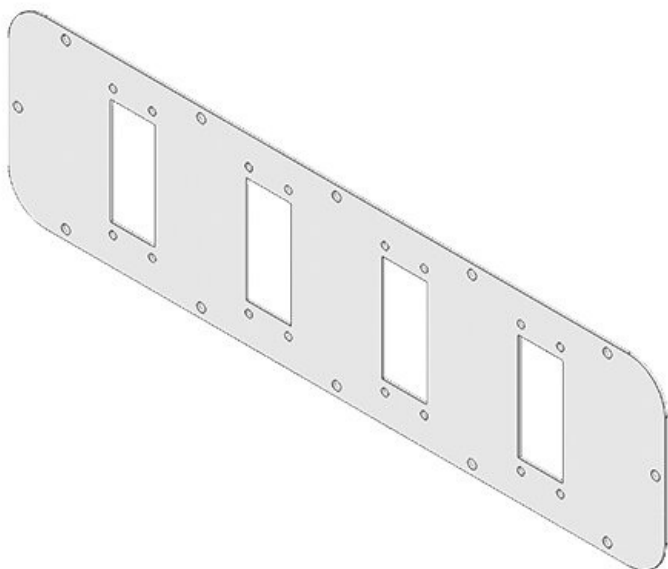
**Rittal AX**



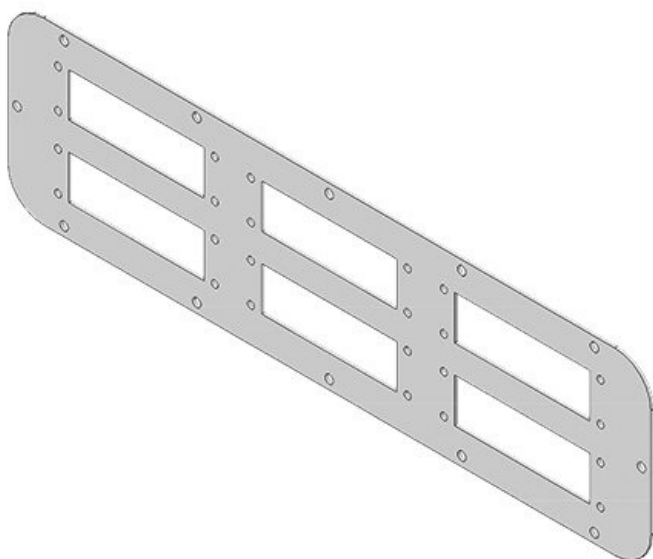
Part No.	<b>43904</b>	Flange plate	<b>3</b>
EAN	<b>4251269321</b>	size	
	<b>382</b>	Cut-out size	<b>112 × 36 mm</b>
Package quantity	<b>1</b>	Suitable for cable entry systems:	<b>KEL-ER 24, KEL-24, KEL-U 24, KEL-FA 24, KEL-FG A, KEL-FG-ER A, KEL-QUICK 24, KEL-QTA 24, KEL-BES 24, KEL-BES-S 24, KEL-DPZ 24, KEL-DPU 24, KEL-DPU-HD 24, KEL-DP 24</b>
Colour	<b>grey (RAL 7035)</b>		<b>Rittal AX</b>
Length	<b>447 mm</b>		
Width	<b>149 mm</b>		
Height	<b>2 mm</b>		
		Suitable for enclosure	



Part No.	<b>43842</b>	Flange plate	<b>4</b>
EAN	<b>4251269310</b>	size	
	<b>775</b>	Cut-out size	<b>112 × 36 mm</b>
Package quantity	<b>1</b>	Suitable for cable entry systems:	<b>KEL-ER 24, KEL-24, KEL-U 24, KEL-FA 24, KEL-FG A, KEL-FG-ER A, KEL-QUICK 24, KEL-QTA 24, KEL-BES 24, KEL-BES-S 24, KEL-DPZ 24, KEL-DPU 24, KEL-DPU-HD 24, KEL-DP 24</b>
Colour	<b>grey (RAL 7035)</b>		<b>Rittal TP, Rittal IN, Rittal EL, Rittal AE</b>
Length	<b>534 mm</b>		
Width	<b>149 mm</b>		
Height	<b>2 mm</b>		
		Suitable for enclosure	

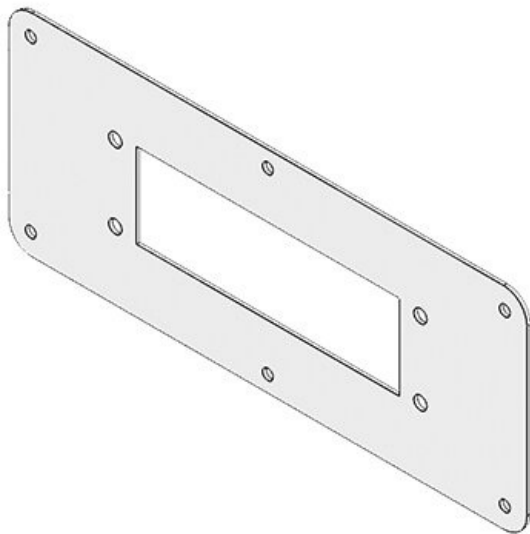


Part No.	<b>43871</b>	Flange plate size	<b>4</b>
EAN	<b>4251269310881</b>	Cut-out size	<b>86 × 36 mm</b>
Package quantity	<b>1</b>	Suitable for cable entry systems:	<b>KEL-ER 16, KEL 16, KEL-U 16, KEL-FA 16, KEL-QUICK 16, KEL-SNAP 16, KEL-BES 16, KEL-BES-S 16, KEL-DPZ 16, KEL-DP 16</b>
Colour	<b>grey (RAL 7035)</b>	Suitable for enclosure	<b>Rittal TP, Rittal IN, Rittal EL, Rittal AE</b>
Length	<b>534 mm</b>		
Width	<b>149 mm</b>		
Height	<b>2 mm</b>		

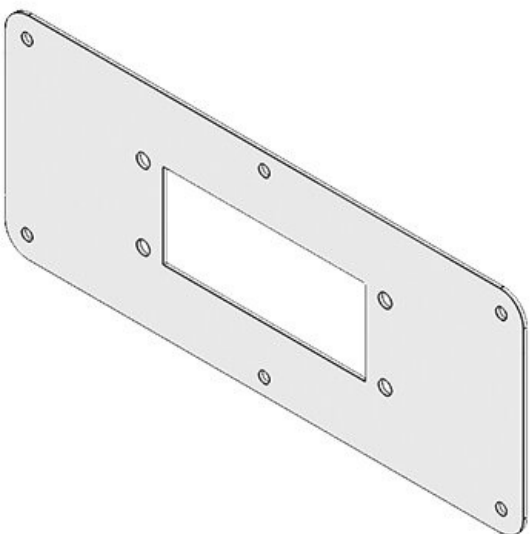


Part No.	<b>43848</b>	Flange plate size	<b>4</b>
EAN	<b>4251269310799</b>	Cut-out size	<b>112 × 36 mm</b>
Package quantity	<b>1</b>	Suitable for cable entry systems:	<b>KEL-ER 24, KEL 24, KEL-U 24, KEL-FA 24, KEL-FG A, KEL-FG-ER A, KEL-QUICK 24, KEL-QTA 24, KEL-BES 24, KEL-BES-S 24, KEL-DPZ 24, KEL-DPU 24, KEL-DPU-HD 24, KEL-DP 24</b>
Colour	<b>grey (RAL 7035)</b>	Suitable for enclosure	<b>Rittal TP, Rittal IN, Rittal EL, Rittal AE</b>
Length	<b>534 mm</b>		
Width	<b>149 mm</b>		
Height	<b>2 mm</b>		

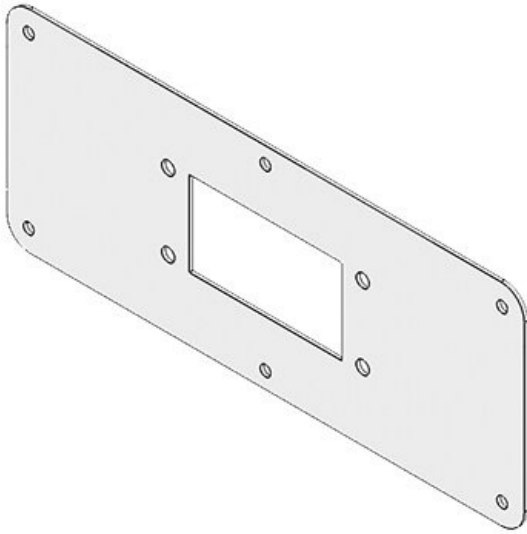




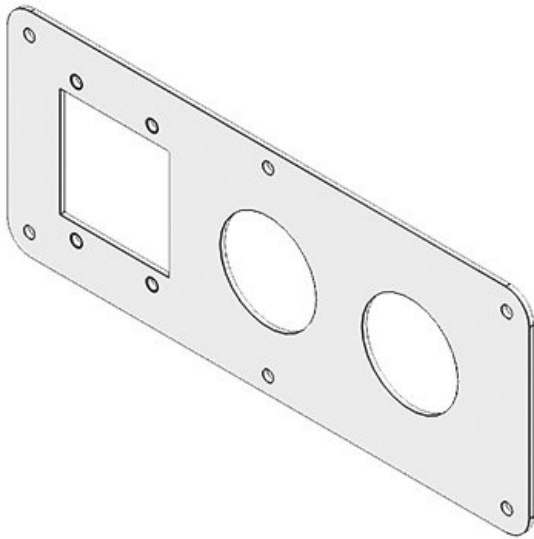
Part No.	<b>43834</b>	Flange plate size	<b>2</b>
EAN	<b>4251269310</b>	Cut-out size	<b>112 × 36 mm</b>
Package quantity	<b>1</b>	Suitable for cable entry systems:	<b>KEL-ER 24, KEL-24, KEL-U 24, KEL-FA 24, KEL-FG A, KEL-FG-ER A, KEL-QUICK 24, KEL-QTA 24, KEL-BES 24, KEL-BES-S 24, KEL-DPZ 24, KEL-DPU 24, KEL-DPU-HD 24, KEL-DP 24</b>
Colour	<b>grey (RAL 7035)</b>		
Length	<b>221 mm</b>		
Width	<b>90 mm</b>		
Height	<b>2 mm</b>		
		Suitable for enclosure	<b>Rittal KX, Rittal KL</b>



Part No.	<b>43855</b>	Flange plate size	<b>2</b>
EAN	<b>4251269310</b>	Cut-out size	<b>86 × 36 mm</b>
Package quantity	<b>1</b>	Suitable for cable entry systems:	<b>KEL 16, KEL-U 16, KEL-FA 16, KEL-QUICK 16, KEL-SNAP 16, KEL-DPZ 16, KEL-DP 16, KEL-BES 16, KEL-BES-S 16</b>
Colour	<b>grey (RAL 7035)</b>		
Length	<b>221 mm</b>		
Width	<b>90 mm</b>		
Height	<b>1 mm</b>		
		Suitable for enclosure	<b>Rittal KX, Rittal KL</b>



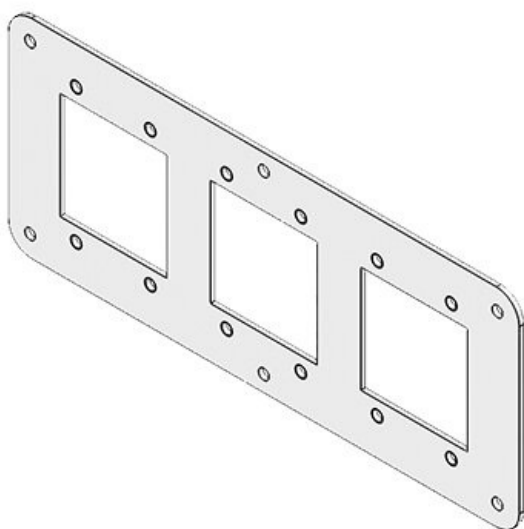
Part No.	<b>43853</b>	Flange plate	<b>2</b>
EAN	<b>4251269310</b>	size	
	<b>812</b>	Cut-out size	<b>65 × 36 mm</b>
Package quantity	<b>1</b>	Suitable for cable entry systems:	<b>KEL 10, KEL-U 10, KEL-FA 10, KEL-QUICK 10, KEL-SNAP 10, KEL-DPZ 10, KEL-DP 10, KEL-BES 10, KEL-BES-S 10</b>
Colour	<b>grey (RAL 7035)</b>		
Length	<b>221 mm</b>		
Width	<b>90 mm</b>		
Height	<b>1 mm</b>		
		Suitable for enclosure	<b>Rittal KX, Rittal KL</b>



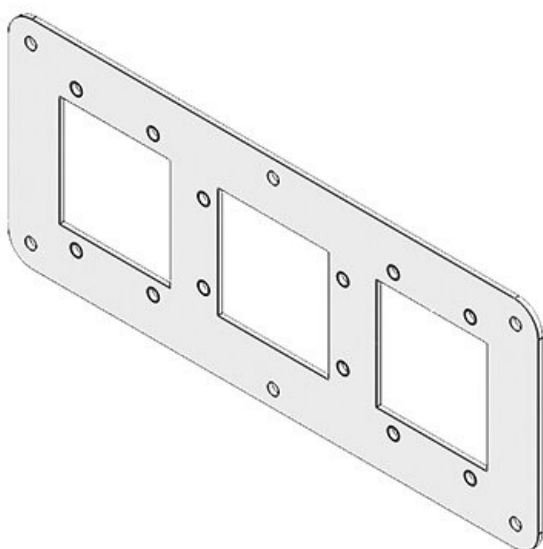
Part No.	<b>43852</b>	Flange plate	<b>2</b>
EAN	<b>4251269310</b>	size	
	<b>805</b>	Cut-out size	<b>46 × 46 mm</b>
Package quantity	<b>1</b>	Cut-out size, round	<b>40,4 mm</b>
Colour	<b>grey (RAL 7035)</b>	Suitable for cable entry systems:	<b>KEL-B, KEL-U-B, KEL-QUICK-B, KEL-SNAP-B, KEL-DPZ-B, KEL-DPZ 40, KEL-DPZ-HD 40, KEL-DPZ-CLICK 40, KEL-SCDP-TR 40, KEL-DPF 40</b>
Length	<b>221 mm</b>		
Width	<b>90 mm</b>		
Height	<b>2 mm</b>		
		Suitable for enclosure	<b>Rittal KX, Rittal KL</b>

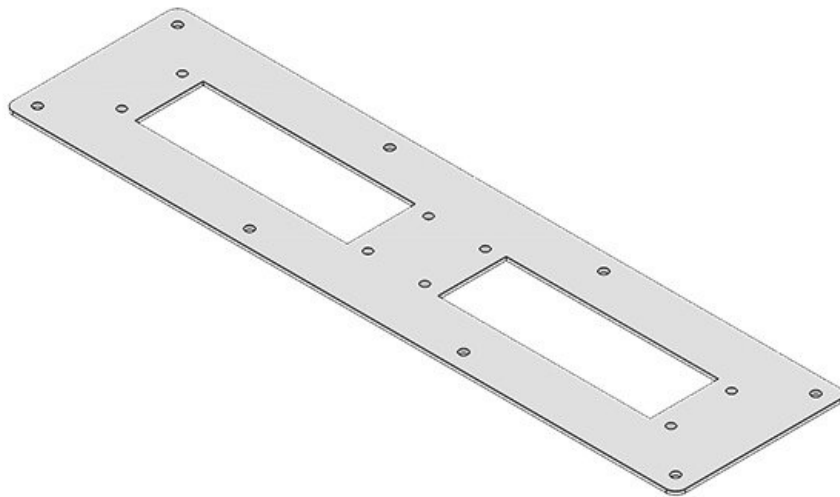
**FP-KX/KL 221×90|B**

Part No.	<b>43854</b>	Flange plate	<b>2</b>
EAN	<b>4251269310</b>	size	
	<b>829</b>	Cut-out size	<b>46 × 46 mm</b>
Package quantity	<b>1</b>	Suitable for cable entry systems:	<b>2 × KEL-SNAP-B, 1 ×</b>
Colour	<b>grey (RAL 7035)</b>	Suitable for enclosure	<b>KEL-DPZ-B Rittal KX, Rittal KL</b>
Length	<b>221 mm</b>		
Width	<b>90 mm</b>		
Height	<b>2 mm</b>		

**FP-KX/KL 221×90|C**

Part No.	<b>43856</b>	Flange plate	<b>2</b>
EAN	<b>4251269310</b>	size	
	<b>843</b>	Cut-out size	<b>46 × 46 mm</b>
Package quantity	<b>1</b>	Suitable for cable entry systems:	<b>KEL-B / KEL-U-B / KEL-QUICK-B /</b>
Colour	<b>grey (RAL 7035)</b>	Suitable for enclosure	<b>KEL-DPZ-B Rittal KX, Rittal KL</b>
Length	<b>221 mm</b>		
Width	<b>90 mm</b>		
Height	<b>2 mm</b>		

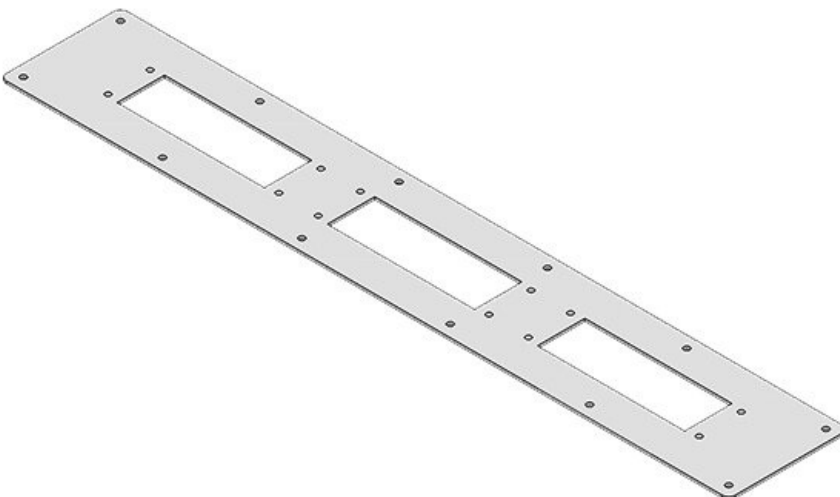


**FP-BG 355×92-2**

Part No.	<b>43866</b>	Cut-out size	<b>112 × 36 mm</b>
EAN	<b>4251269310874</b>	Suitable for cable entry systems:	<b>KEL-ER 24, KEL 24, KEL-U 24, KEL-FA 24, KEL-FG 24, KEL-FG-ER A, KEL-FG-ER A, KEL-QUICK 24, KEL-QTA 24, KEL-BES 24, KEL-BES-S 24, KEL-DPZ 24, KEL-DPU 24, KEL-DPU-HD 24, KEL-DP 24</b>
Package quantity	<b>1</b>		
Colour	<b>grey (RAL 7035)</b>		
Length	<b>355 mm</b>		
Width	<b>92 mm</b>		
Height	<b>2 mm</b>		

Suitable for enclosure

**Rittal BG**

**FP-BG 555×92-3**

Part No.	<b>43865</b>	Flange plate size	<b>6</b>
EAN	<b>4251269310867</b>	Cut-out size	<b>112 × 36 mm</b>
Package quantity	<b>1</b>	Suitable for cable entry systems:	<b>KEL-ER 24, KEL 24, KEL-U 24, KEL-FA 24, KEL-FG 24, KEL-FG-ER A, KEL-FG-ER A, KEL-QUICK 24, KEL-QTA 24, KEL-BES 24, KEL-BES-S 24, KEL-DPZ 24, KEL-DPU 24, KEL-DPU-HD 24, KEL-DP 24</b>
Colour	<b>grey (RAL 7035)</b>		
Length	<b>555 mm</b>		
Width	<b>92 mm</b>		
Height	<b>2 mm</b>		

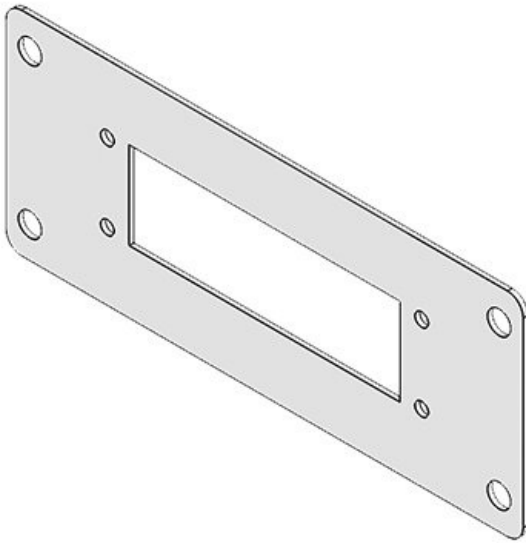
Suitable for enclosure

**Rittal IN, Rittal BG**

**FP-FL 21**

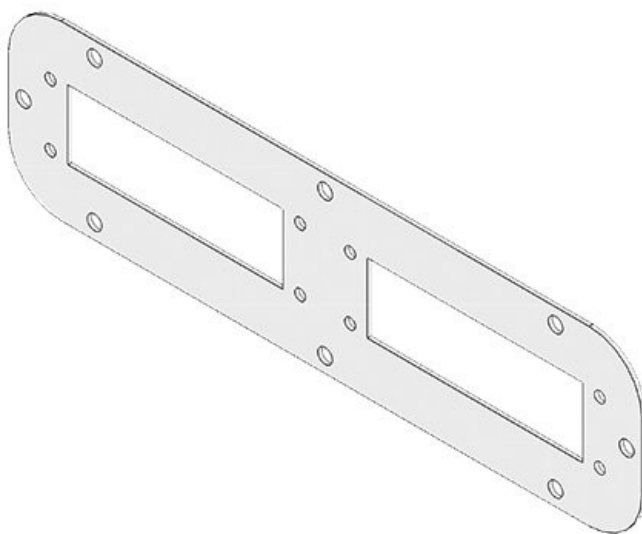
Part No.	<b>43832</b>	Cut-out size	<b>112 × 36 mm</b>
EAN	<b>4251269310</b>	Suitable for cable entry systems:	<b>KEL-ER 24, KEL 24, KEL-U 24, KEL-FA 24, KEL-FG 24, KEL-FG-ER A, KEL-FG-ER A, KEL-QUICK 24, KEL-QTA 24, KEL-BES 24, KEL-BES-S 24, KEL-DPZ 24, KEL-DPU 24, KEL-DPU-HD 24, KEL-DP 24</b>
Package quantity	<b>1</b>		
Colour	<b>grey (RAL 7035)</b>		
Length	<b>214 mm</b>		
Width	<b>88 mm</b>		
Height	<b>2 mm</b>		

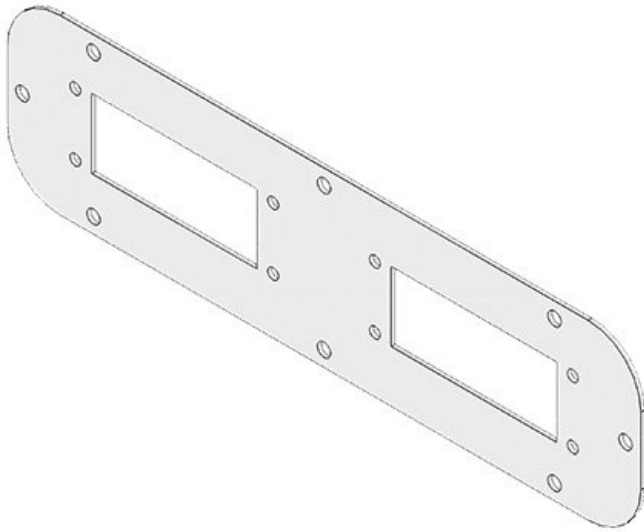
Suitable for enclosure

**FP-AE-24 330|90**

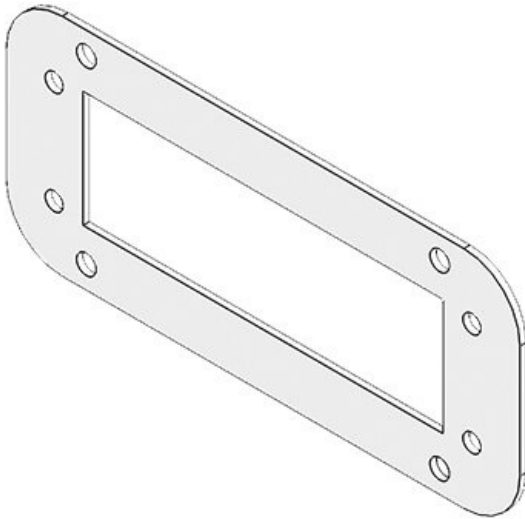
Part No.	<b>43838</b>	Flange plate size	<b>3</b>
EAN	<b>4251269310</b>	Cut-out size	<b>112 × 36 mm</b>
Package quantity	<b>1</b>	Suitable for cable entry systems:	<b>KEL-ER 24, KEL 24, KEL-U 24, KEL-FA 24, KEL-FG 24, KEL-FG-ER A, KEL-FG-ER A, KEL-QUICK 24, KEL-QTA 24, KEL-BES 24, KEL-BES-S 24, KEL-DPZ 24, KEL-DPU 24, KEL-DPU-HD 24, KEL-DP 24</b>
Colour	<b>grey (RAL 7035)</b>		
Length	<b>330</b>		
Width	<b>90</b>		
Height	<b>2 mm</b>		

Suitable for enclosure



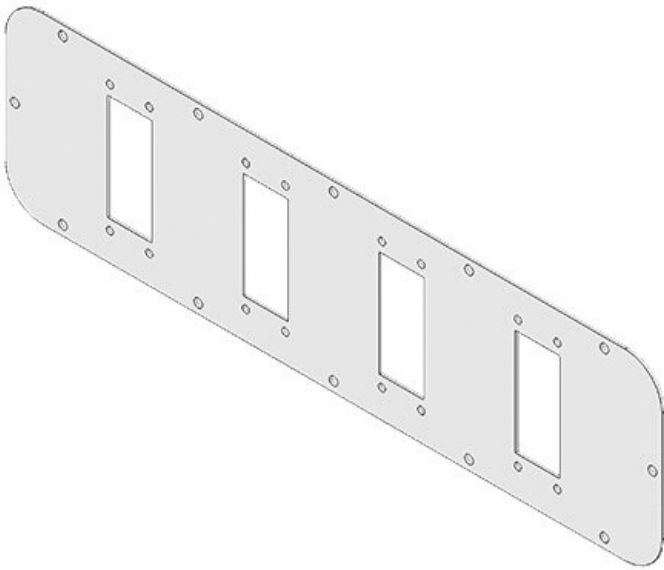


Part No.	<b>43861</b>	Flange plate	<b>3</b>
EAN	<b>4251269310</b>	size	
	<b>850</b>	Cut-out size	<b>86 × 36 mm</b>
Package quantity	<b>1</b>	Suitable for cable entry systems:	<b>KEL-ER 16, KEL-16, KEL-U 16, KEL-FA 16, KEL-QUICK 16, KEL-SNAP 16, KEL-BES 16, KEL-BES-S 16, KEL-DPZ 16, KEL-DP 16</b>
Colour	<b>grey (RAL 7035)</b>		
Length	<b>330 mm</b>		
Width	<b>90 mm</b>		
Height	<b>2 mm</b>		
		Suitable for enclosure	<b>Rittal AE</b>

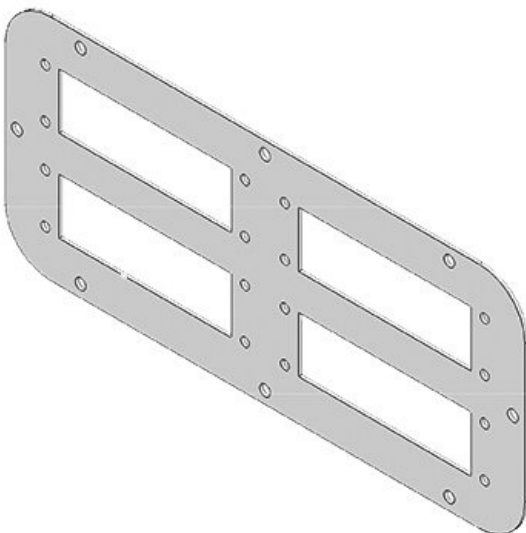


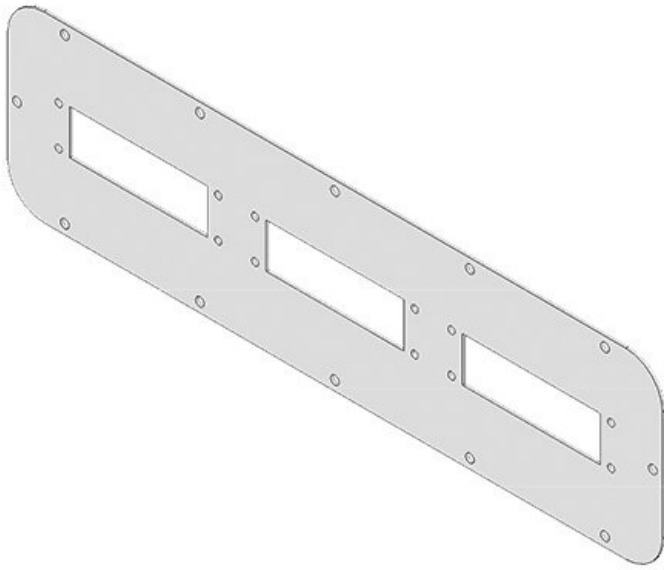
Part No.	<b>43836</b>	Flange plate	<b>1</b>
EAN	<b>4251269310</b>	size	
	<b>744</b>	Cut-out size	<b>112 × 36 mm</b>
Package quantity	<b>1</b>	Suitable for cable entry systems:	<b>KEL-QTA 24, KEL-DP 24</b>
Colour	<b>grey (RAL 7035)</b>	Suitable for enclosure	<b>Rittal AE</b>
Length	<b>160 mm</b>		
Width	<b>70 mm</b>		
Height	<b>2 mm</b>		

Part No.	<b>43871</b>	Flange plate size	<b>5</b>
EAN	<b>4251269310</b>	Cut-out size	<b>86 × 36 mm</b>
Package quantity	<b>1</b>	Suitable for cable entry systems:	<b>KEL-ER 16, KEL 16, KEL-U 16, KEL-FA 16, KEL-QUICK 16, KEL-SNAP 16, KEL-BES 16, KEL-BES-S 16, KEL-DPZ 16, KEL-DP 16</b>
Colour	<b>grey (RAL 7035)</b>	Suitable for enclosure	<b>Rittal TP, Rittal IN, Rittal EL, Rittal AE</b>
Length	<b>534 mm</b>		
Width	<b>149 mm</b>		
Height	<b>2 mm</b>		

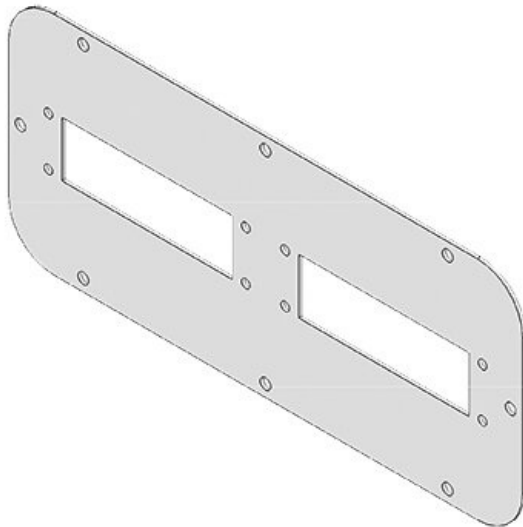


Part No.	<b>43846</b>	Flange plate size	<b>4</b>
EAN	<b>4251269310</b>	Cut-out size	<b>112 × 36 mm</b>
Package quantity	<b>1</b>	Suitable for cable entry systems:	<b>KEL-ER 24, KEL 24, KEL-U 24, KEL-FA 24, KEL-FG A, KEL-FG-ER A, KEL-QUICK 24, KEL-QTA 24, KEL-BES 24, KEL-BES-S 24, KEL-DPZ 24, KEL-DPU 24, KEL-DPU-HD 24, KEL-DP 24</b>
Colour	<b>grey (RAL 7035)</b>	Suitable for enclosure	<b>Rittal TP, Rittal CS, Rittal AE</b>
Length	<b>339 mm</b>		
Width	<b>149 mm</b>		
Height	<b>2 mm</b>		



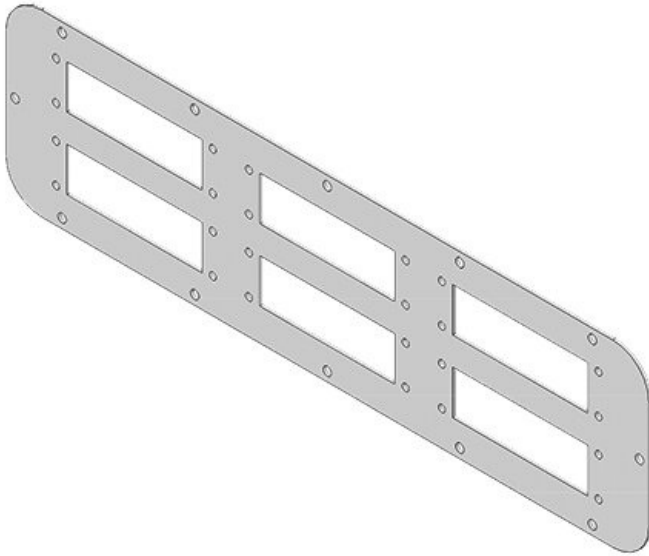


Part No.	<b>43842</b>	Flange plate size	<b>5</b>
EAN	<b>4251269310775</b>	Cut-out size	<b>112 × 36 mm</b>
Package quantity	<b>1</b>	Suitable for cable entry systems:	<b>KEL-ER 24, KEL 24, KEL-U 24, KEL-FA 24, KEL-FG A, KEL-FG-ER A, KEL-QUICK 24, KEL-QTA 24, KEL-BES 24, KEL-BES-S 24, KEL-DPZ 24, KEL-DPU 24, KEL-DPU-HD 24, KEL-DP 24</b>
Colour	<b>grey (RAL 7035)</b>	Suitable for enclosure	<b>Rittal TP, Rittal IN, Rittal EL, Rittal AE</b>
Length	<b>534 mm</b>		
Width	<b>149 mm</b>		
Height	<b>2 mm</b>		



Part No.	<b>43840</b>	Flange plate size	<b>4</b>
EAN	<b>4251269310768</b>	Cut-out size	<b>112 × 36 mm</b>
Package quantity	<b>1</b>	Suitable for cable entry systems:	<b>KEL-ER 24, KEL 24, KEL-U 24, KEL-FA 24, KEL-FG A, KEL-FG-ER A, KEL-QUICK 24, KEL-QTA 24, KEL-BES 24, KEL-BES-S 24, KEL-DPZ 24, KEL-DPU 24, KEL-DPU-HD 24, KEL-DP 24</b>
Colour	<b>grey (RAL 7035)</b>	Suitable for enclosure	<b>Rittal TP, Rittal CS, Rittal AE</b>
Length	<b>339 mm</b>		
Width	<b>149 mm</b>		
Height	<b>2 mm</b>		





Part No.	<b>43848</b>	Flange plate	<b>5</b>
EAN	<b>4251269310</b>	size	
Package quantity	<b>799</b>	Cut-out size	<b>112 × 36 mm</b>
Colour	<b>grey (RAL 7035)</b>	Suitable for cable entry systems:	<b>KEL-ER 24, KEL-U 24, KEL-FA 24, KEL-FG A, KEL-FG-ER A, KEL-QUICK 24, KEL-QTA 24, KEL-BES 24, KEL-BES-S 24, KEL-DPZ 24, KEL-DPU 24, KEL-DPU-HD 24, KEL-DP 24</b>
Length	<b>534 mm</b>	Suitable for enclosure	<b>Rittal TP, Rittal IN, Rittal EL, Rittal AE</b>
Width	<b>149 mm</b>		
Height	<b>2 mm</b>		