

ALLIO

Compact LED lighting for industry and IT applications



With its compact design and 190° rotating tube, the ALLIO system luminaire offers space-saving lighting for enclosures. This also enables easy retrofitting in existing enclosures.

The High Power LED illuminates with 1050 lumens and offers a service life of 50,000 hours. The opal white polycarbonate tube provides a homogeneous, glare-free area light.

A [door operated switch](#) is available as an option.



Borrow a sample now



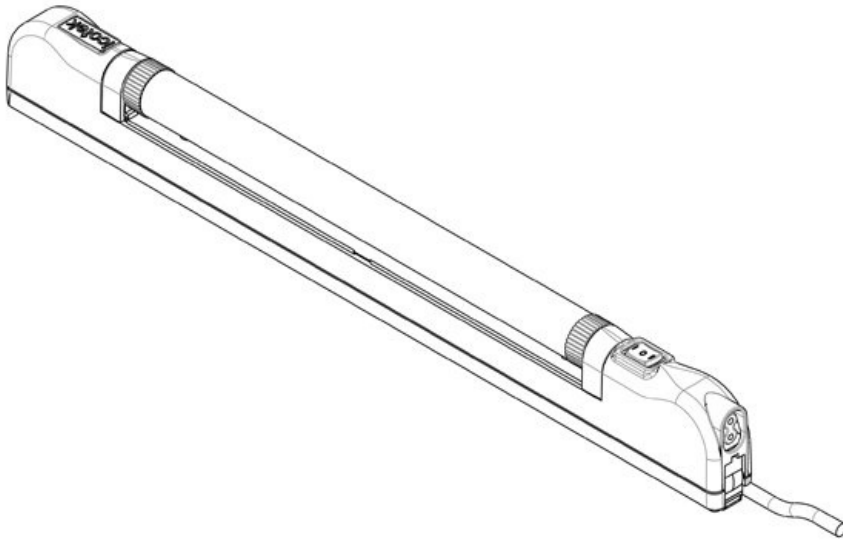
Specifications

IP rating (EN 60529)	IP20
Protection class	II (Protective insulation)
Material	Tube: Polycarbonate Enclosure: Polycarbonate
Flame class	
Operating temperature	-20 C° to 50 C°
Mounting options	Screw type mounting, Magnetic attachment, Clip attachment (patented)

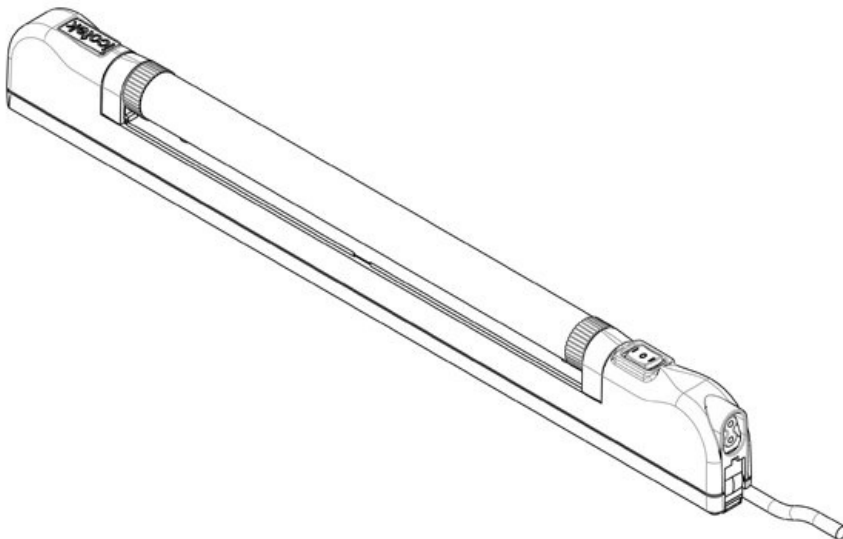
Advantages & benefits

- Compact design with 190° rotating LED tube
- Various mounting types: with magnets, screw assembly or snap-in assembly in the 19" server rack
- Easy retrofitting in existing enclosures
- Effective LED lighting with 1050 lumens
- Available with motion sensor
- Door operated switch available as an option

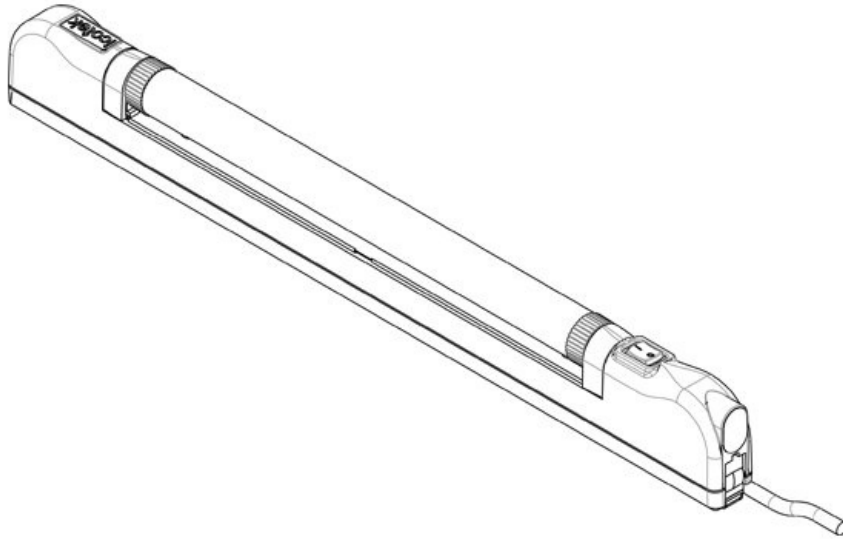
Product types & sizes



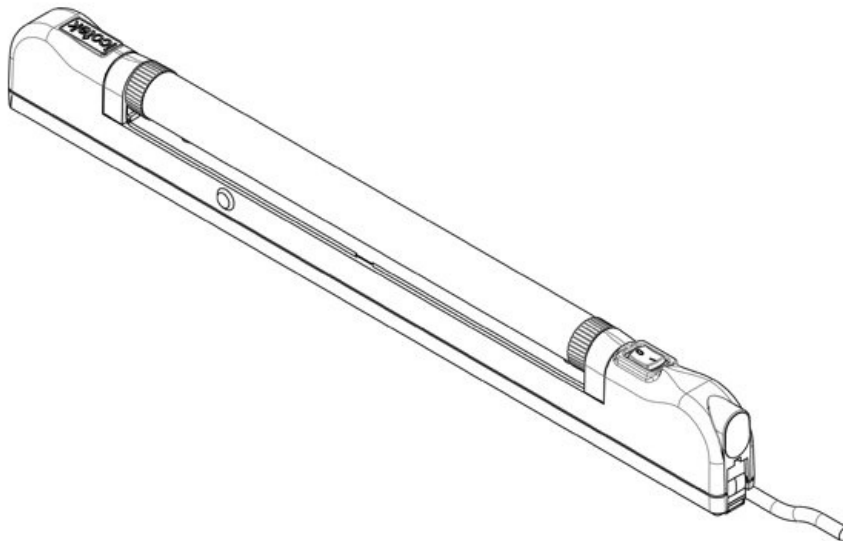
Part No.	81100	Connection possibilities	Door operated switch
EAN	4251269333019	Connector type	Ferrules
Package quantity	1	Rated power	8 W
Length	448 mm	Operating voltage	24 V DC
Height	56,5 mm	Test standard	EN 60598, EN 55015, EN 61000, EN 62741
Width	26,2 mm	Protection class	II (Protective insulation)
Length connecting cable	3.000 mm	Guidelines	2014/35/EU, 2014/30/EU
		Service life	50.000 h
		Energy efficiency class	E
		Colour temperature	5.600 K
		Colour rendering index CRI	> 80
		Luminous flux	1.000 lm
		Colour	grey (similar RAL 7035)



Part No.	81202	Length connecting cable	3.000 mm
EAN		Connection possibilities	Door operated switch
Package quantity	1	Connector type	Ferrules
UL Certificate	cURus (in progress)	Rated power	8 W
Length	448 mm	Operating voltage	24 V DC
Height	56,5 mm	Test standard	EN 60598, EN 55015, EN 61000, EN 62741
Width	26,2 mm	Protection class	II (Protective insulation)
		Guidelines	2014/35/EU, 2014/30/EU
		Service life	50.000 h
		Energy efficiency class	E
		Colour temperature	5.600 K
		Colour rendering index CRI	> 80
		Luminous flux	1.000 lm
		Colour	grey (similar RAL 7035)

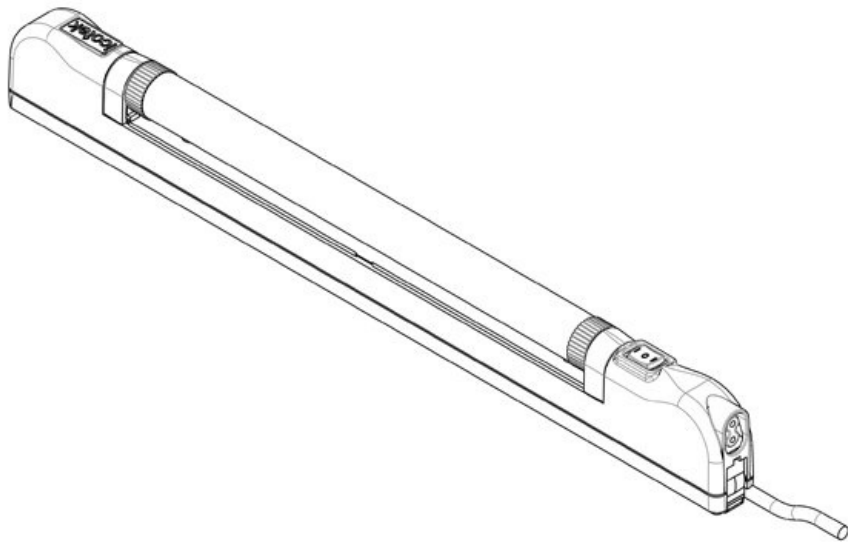
ALLIO 24 V DC with motion sensor

Part No.	81101	Version	PIR motion detector
EAN	4251269333	Connector type	Ferrules
Package quantity	1	Rated power	8 W
Length	448 mm	Operating voltage	24 V DC
Height	56,5 mm	Test standard	EN 60598, EN 55015, EN 61000, EN 62741
Width	26,2 mm	Protection class	II (Protective insulation)
Length connecting cable	3.000 mm	Guidelines	2014/35/EU, 2014/30/EU
		Service life	50.000 h
		Energy efficiency class	E
		Colour temperature	5.600 K
		Colour rendering index CRI	> 80
		Luminous flux	1.000 lm
		Colour	grey (similar RAL 7035)

ALLIO 24 V DC UL/CSA with motion sensor

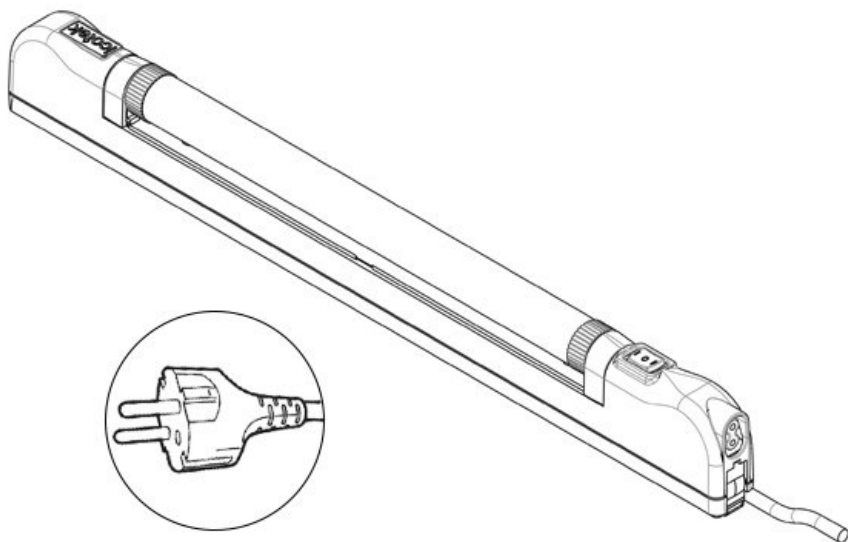
Part No.	81203	Length connecting cable	3.000 mm
EAN		Version	PIR motion detector
Package quantity	1	Connector type	Ferrules
UL Certificate	cURus (in progress)	Rated power	8 W
Length	448 mm	Operating voltage	24 V DC
Height	56,5 mm	Test standard	EN 60598, EN 55015, EN 61000, EN 62741
Width	26,2 mm	Protection class	II (Protective insulation)
		Guidelines	2014/35/EU, 2014/30/EU
		Service life	50.000 h
		Energy efficiency class	E
		Colour temperature	5.600 K
		Colour rendering index CRI	> 80
		Luminous flux	1.000 lm
		Colour	grey (similar RAL 7035)

ALLIO 230 V AC

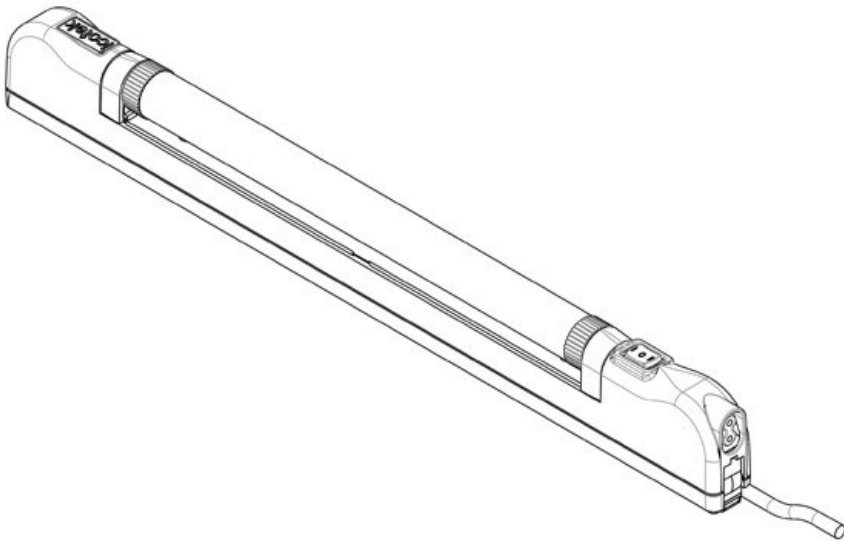


Part No.	81102	Connection possibilities	Door operated switch
EAN	4251269333033	Connector type	Ferrules
Package quantity	1	Rated power	8 W
Length	448 mm	Operating voltage	220 - 240 V AC, 50 - 60 Hz
Height	56,5 mm	Test standard	EN 60598, EN 55015, EN 61000, EN 62741
Width	26,2 mm	Protection class	II (Protective insulation)
Length connecting cable	3.000 mm	Guidelines	2014/35/EU, 2014/30/EU
		Service life	50.000 h
		Energy efficiency class	E
		Colour temperature	5.600 K
		Colour rendering index CRI	> 80
		Luminous flux	1.000 lm
		Colour	grey (similar RAL 7035)

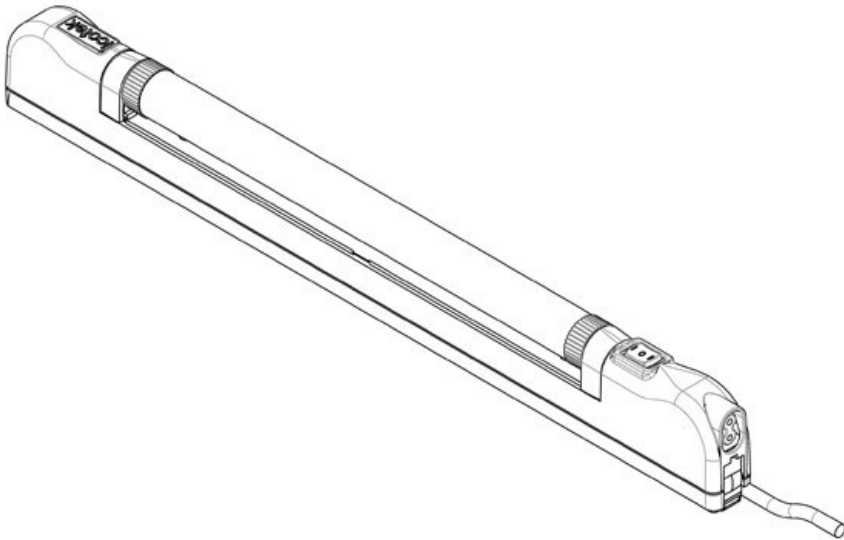
ALLIO 230 V AC



Part No.	81103	Connection possibilities	Door operated switch
EAN	4251269333040	Connector type	Plug CEE 7/17
Package quantity	1	Rated power	8 W
Length	448 mm	Operating voltage	220 - 240 V AC, 50 - 60 Hz
Height	56,5 mm	Test standard	EN 60598, EN 55015, EN 61000, EN 62741
Width	26,2 mm	Protection class	II (Protective insulation)
Length connecting cable	1.500 mm	Guidelines	2014/35/EU, 2014/30/EU
		Service life	50.000 h
		Energy efficiency class	E
		Colour temperature	5.600 K
		Colour rendering index CRI	> 80
		Luminous flux	1.000 lm
		Colour	grey (similar RAL 7035)

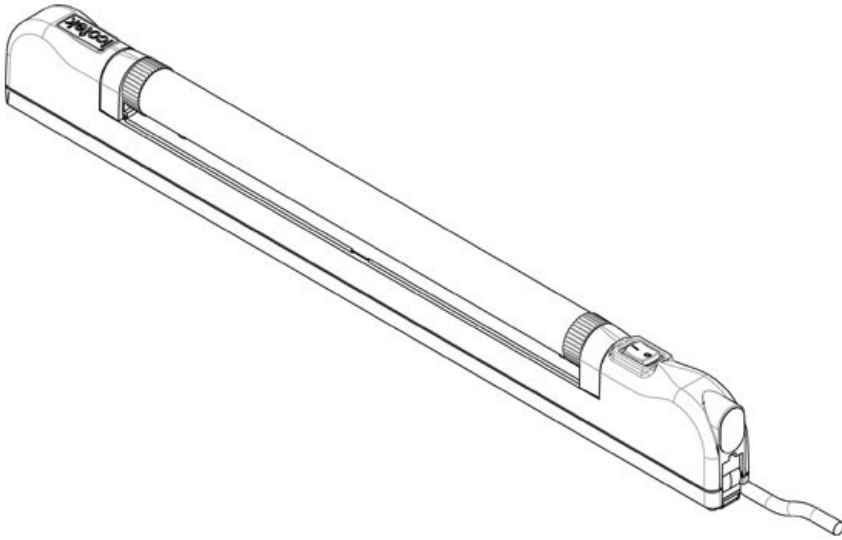
ALLIO 100-240 V AC

Part No.	81104	Connection possibilities	Door operated switch
EAN	4251269333057	Connector type	Ferrules
Package quantity	1	Rated power	8 W
Length	448 mm	Operating voltage	100 - 240 V AC, 50 - 60 Hz
Height	56,5 mm	Test standard	EN 60598, EN 55015, EN 61000, EN 62741
Width	26,2 mm	Protection class	II (Protective insulation)
Length connecting cable	3.000 mm	Guidelines	2014/35/EU, 2014/30/EU
		Service life	50.000 h
		Energy efficiency class	E
		Colour temperature	5.600 K
		Colour rendering index CRI	> 80
		Luminous flux	1.000 lm
		Colour	grey (similar RAL 7035)

ALLIO 100-240 V AC UL/CSA

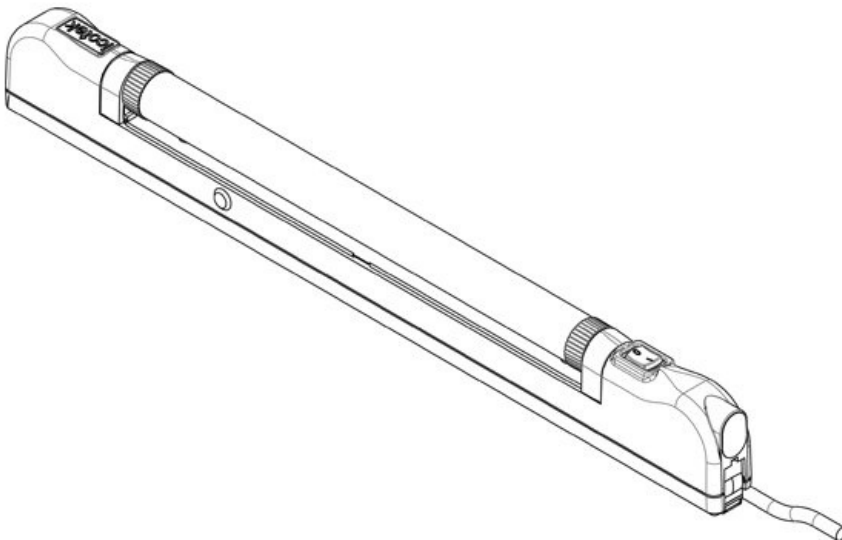
Part No.	81200	Length connecting cable	3.000 mm
EAN		Connection possibilities	Door operated switch
Package quantity	1	Connector type	Ferrules
UL Certificate	cURus (in progress)	Rated power	8 W
Length	448 mm	Operating voltage	100 - 240 V AC, 50 - 60 Hz
Height	56,5 mm	Test standard	EN 60598, EN 55015, EN 61000, EN 62741
Width	26,2 mm	Protection class	II (Protective insulation)
		Guidelines	2014/35/EU, 2014/30/EU
		Service life	50.000 h
		Energy efficiency class	E
		Colour temperature	5.600 K
		Colour rendering index CRI	> 80
		Luminous flux	1.000 lm
		Colour	grey (similar RAL 7035)

ALLIO 100-240 V AC with motion sensor



Part No.	81105	Version	PIR motion detector
EAN	4251269333	Connector type	Ferrules
Package quantity	1	Rated power	8 W
Length	448 mm	Operating voltage	100 - 240 V AC, 50 - 60 Hz
Height	56,5 mm	Test standard	EN 60598, EN 55015, EN 61000, EN 62741
Width	26,2 mm	Protection class	II (Protective insulation)
Length connecting cable	3.000 mm	Guidelines	2014/35/EU, 2014/30/EU
		Service life	50.000 h
		Energy efficiency class	E
		Colour temperature	5.600 K
		Colour rendering index CRI	> 80
		Luminous flux	1.000 lm
		Colour	grey (similar RAL 7035)

ALLIO 100-240 V AC UL/CSA with motion sensor



Part No.	81201	Length connecting cable	3.000 mm
EAN		Version	PIR motion detector
Package quantity	1	Connector type	Ferrules
UL Certificate	cURus (in progress)	Rated power	8 W
Length	448 mm	Operating voltage	100 - 240 V AC, 50 - 60 Hz
Height	56,5 mm	Test standard	EN 60598, EN 55015, EN 61000, EN 62741
Width	26,2 mm	Protection class	II (Protective insulation)
		Guidelines	2014/35/EU, 2014/30/EU
		Service life	50.000 h
		Energy efficiency class	E
		Colour temperature	5.600 K
		Colour rendering index CRI	> 80
		Luminous flux	1.000 lm
		Colour	grey (similar RAL 7035)

Faceplate for 19" rack bk



Part No.	81135	No. of screw	4
EAN	4251269333	holes	
	101	Diam. of screw	6,5 mm
Package quantity	1	holes	
Length	484 mm		
Height	6 mm		
Width	44 mm		
Colour	black		

Faceplate for 19" rack gy



Part No.	81134	No. of screw	4
EAN	4251269333	holes	
	095	Diam. of screw	6,5 mm
Package quantity	1	holes	
Length	484 mm		
Height	6 mm		
Width	44 mm		
Colour	grey (similar RAL 7035)		