

ALU-LINE

Innovative LED lighting for industry and IT applications



IP20

RoHS
compliant

REACH
COMPLIANCE

Made in
Germany

CE

UK
CA

The ALU-LINE system luminaires provides effective lighting in enclosures for industrial and IT applications. Their aluminium housing makes them particularly high-quality and stable.

The ALU-LINE luminaire offers an integrated socket as a practical additional benefit. This is available in EU, CH, BE or GB versions.

The High Power LED illuminates with 1350 lumens and provides a balanced homogeneous area light. Another advantage is that the through-wiring of several luminaires is possible.

A [door operated switch](#) is available as an option.

Borrow a sample now



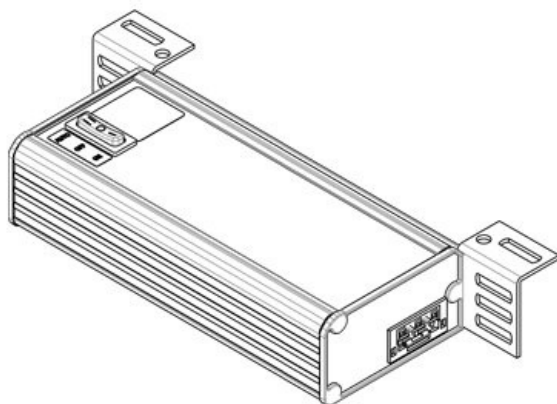
Specifications

IP rating (EN 60529)	IP20
Protection class	I (Protective conductor connection)
Material	Enclosure: Aluminium, extruded Lamp cover: Polycarbonate
Flame class	
Operating temperature	-20 C° to 50 C°
Mounting options	Screw type mounting

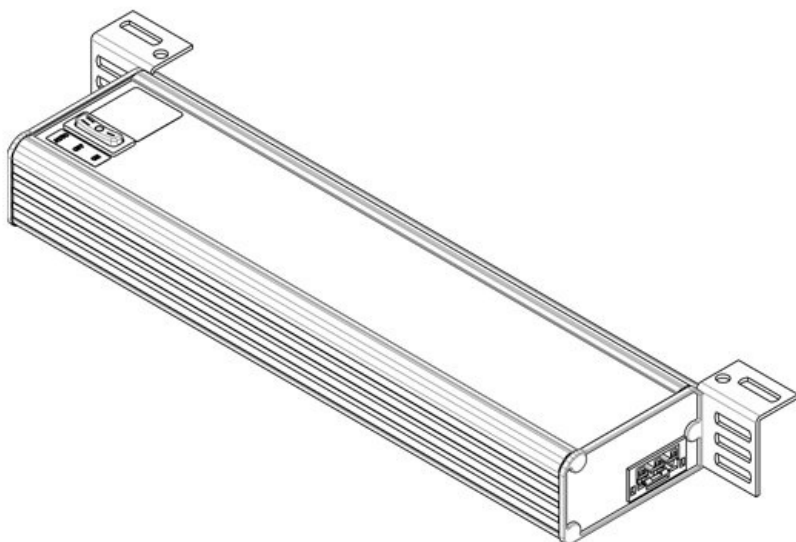
Advantages & benefits

- Integrated socket available in different versions: EU, CH, BE, GB
- High-quality and stable aluminium housing
- Various mounting types: screw assembly and assembly on top-hat rail 35 mm
- Effective LED lighting with 1350 lm
- Available with motion sensor
- Door operated switch available as an option
- Through-wiring of several luminaires possible

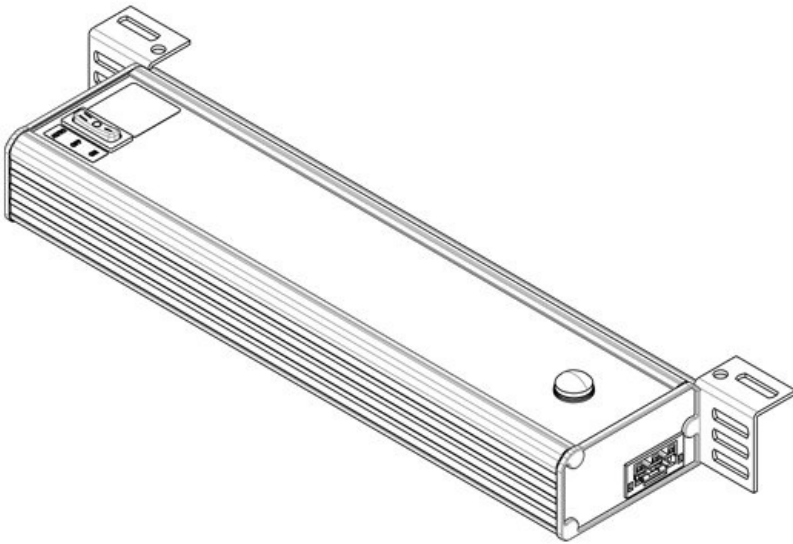
Product types & sizes

ALU-LINE 200 (UL/CSA)

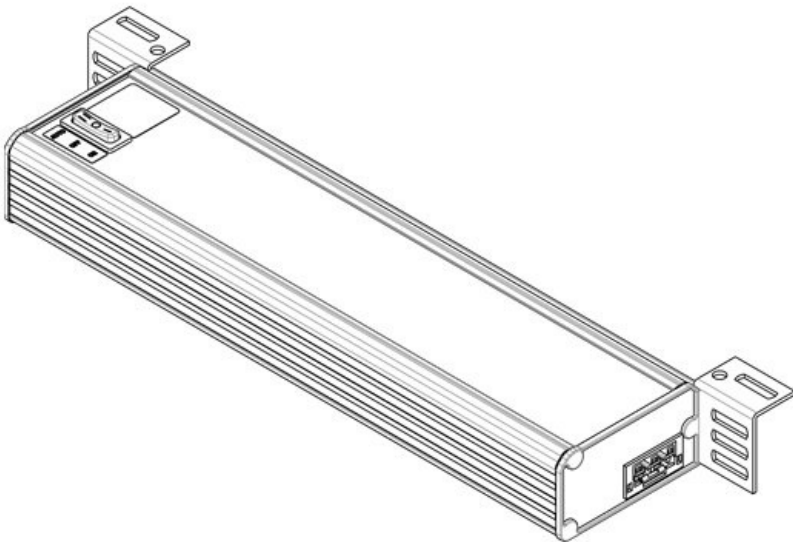
Part No.	81404	Connection possibilities	Door operated switch, Through-wiring, Feed-in
EAN			
Package quantity	1		
UL Certificate	cURus (in progress)		
Length	197,2 mm	Connector type	GST 18 socket
Height	48 mm	Rated power	6 W
Width	112,6 mm	Operating voltage	100 - 240 V AC
		Test standard	EN 60598, EN 62471, EN 55015, EN 61000
		Protection class	I (Protective conductor connection)
		Guidelines	2014/35/EU, 2014/30/EU
		Service life	50.000 h
		Energy efficiency class	F
		Consumption kWh/1000 h	13
		Colour temperature	5.600 K
		Colour rendering index CRI	>80
		Luminous flux	900 lm

ALU-LINE 350 (UL/CSA)

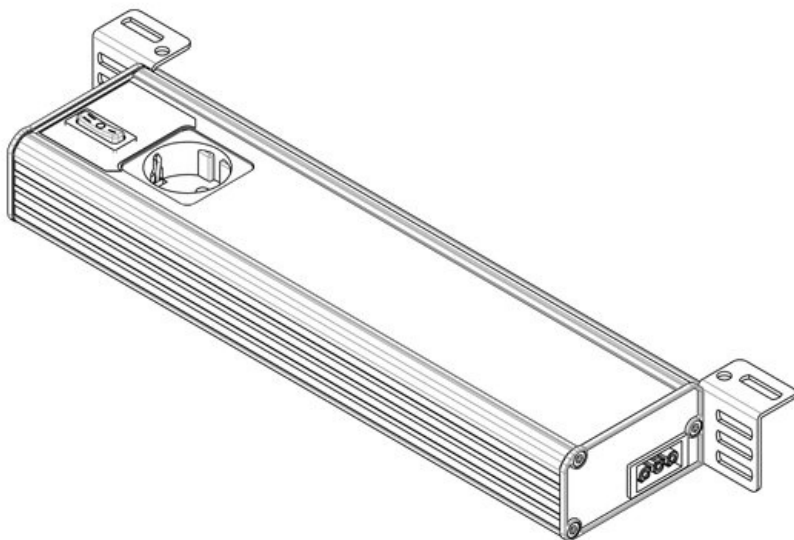
Part No.	81403	Connection possibilities	Feed-in, Through-wiring, Door operated switch
EAN			
Package quantity	1		
UL Certificate	cURus (in progress)		
Length	347,2 mm	Connector type	GST 18 socket
Height	48 mm	Rated power	9 W
Width	112,6 mm	Operating voltage	100 - 240 V AC
		Test standard	EN 60598, EN 62471, EN 55015, EN 61000
		Protection class	I (Protective conductor connection)
		Guidelines	2014/35/EU, 2014/30/EU
		Service life	50.000 h
		Energy efficiency class	F
		Consumption kWh/1000 h	13
		Colour temperature	5.600 K
		Colour rendering index CRI	>80
		Luminous flux	1.280 lm

ALU-LINE 350 (UL/CSA) with motion sensor

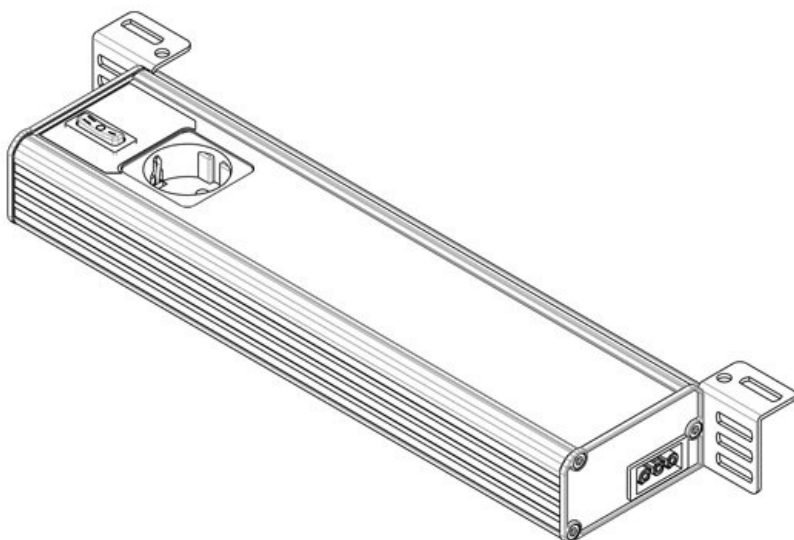
Part No.	81401	Version	PIR motion detector
EAN		Connection possibilities	Feed-in, Through-wiring
Package quantity	1	Connector type	GST 18 socket
UL Certificate	cURus (in progress)	Rated power	9 W
Length	347,2 mm	Operating voltage	100 - 240 V AC
Height	48 mm	Test standard	EN 60598, EN 62471, EN 55015, EN 61000
Width	112,6 mm	Protection class	I (Protective conductor connection)
		Guidelines	2014/35/EU, 2014/30/EU
		Service life	50.000 h
		Energy efficiency class	F
		Consumption kWh/1000 h	13
		Colour temperature	5.600 K
		Colour rendering index CRI	>80
		Luminous flux	1.280 lm

ALU-LINE 350 (UL/CSA) 120V

Part No.	81408	Connection possibilities	Feed-in, Through-wiring, Door operated switch
EAN		Connector type	GST 18 socket
Package quantity	1	Rated power	9 W
UL Certificate	cURus (in progress)	Operating voltage	120 V AC
Length	347,2 mm	Test standard	EN 60598, EN 62471, EN 55015, EN 61000
Height	48 mm	Protection class	I (Protective conductor connection)
Width	112,6 mm	Guidelines	2014/35/EU, 2014/30/EU
		Service life	50.000 h
		Energy efficiency class	F
		Consumption kWh/1000 h	13
		Colour temperature	5.600 K
		Colour rendering index CRI	>80
		Luminous flux	1.280 lm

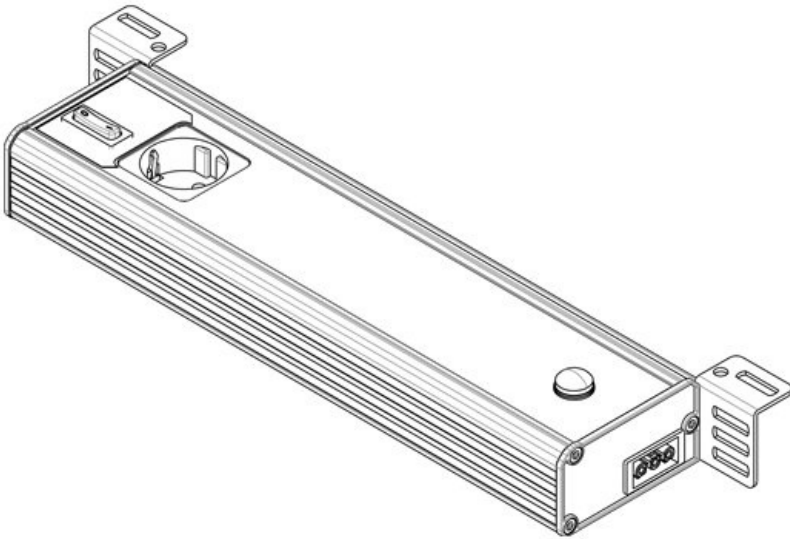


Part No.	81300	Connection possibilities	Door operated switch, Through-wiring, Feed-in
EAN	4251269332883		
Package quantity	1		
Length	347,2 mm		
Height	48 mm	Connector type	GST 18 socket
Width	112,6 mm	Rated power	12 W
Version	Socket D/Schuko (Type F, CEE 7/3)	Operating voltage	230 V AC +/-5%, 50 - 60 Hz
		Test standard	EN 60598, EN 62471, EN 55015, EN 61000 I (Protective conductor connection)
		Protection class	2014/35/EU, 2014/30/EU
		Guidelines	50.000 h
		Service life	F
		Energy efficiency class	13
		Consumption kWh/1000 h	5.600 K
		Colour temperature	>80
		Colour rendering index CRI	
		Luminous flux	1.350 lm



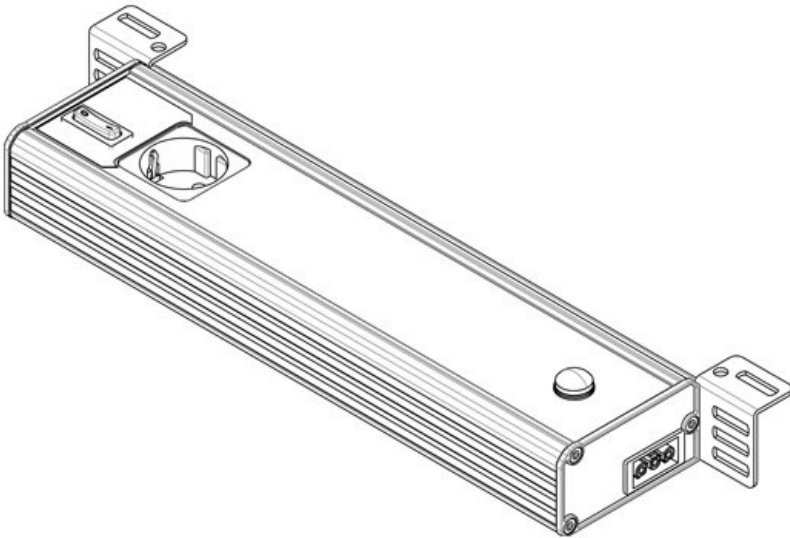
Part No.	81308	Connection possibilities	Door operated switch, Through-wiring, Feed-in
EAN	1		
Package quantity	1		
Length	347,2 mm		
Height	48 mm	Connector type	GST 18 socket
Width	112,6 mm	Rated power	12 W
Version	Socket D/Schuko (Type F, CEE 7/3)	Operating voltage	230 V AC +/-5%, 50 - 60 Hz
		Test standard	EN 60598, EN 62471, EN 55015, EN 61000 I (Protective conductor connection)
		Protection class	2014/35/EU, 2014/30/EU
		Guidelines	50.000 h
		Service life	F
		Energy efficiency class	13
		Consumption kWh/1000 h	5.600 K
		Colour temperature	>80
		Colour rendering index CRI	
		Luminous flux	1.350 lm

ALU-LINE 350 | EU with motion sensor

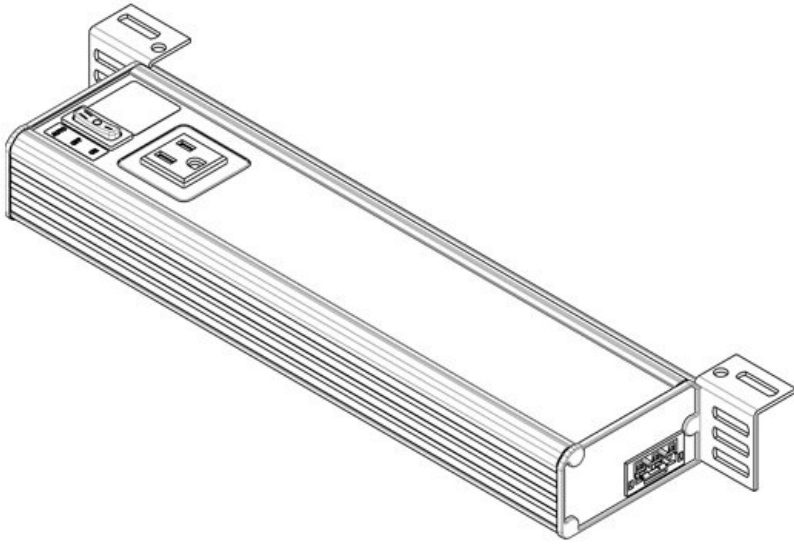


Part No.	81304	Connection possibilities	Feed-in, Through-wiring
EAN	4251269332920	Connector type	GST 18 socket
Package quantity	1	Rated power	12 W
Length	347,2 mm	Operating voltage	230 V AC +/-5%, 50 - 60 Hz
Height	48 mm	Test standard	EN 60598, EN 62471, EN 55015, EN 61000 I (Protective conductor connection)
Width	112,6 mm	Protection class	I (Protective conductor connection)
Version	Socket D/Schuko (Type F, CEE 7/3, PIR motion detector)	Guidelines	2014/35/EU, 2014/30/EU
		Service life	50.000 h
		Energy efficiency class	F
		Consumption kWh/1000 h	13
		Colour temperature	5.600 K
		Colour rendering index CRI	>80
		Luminous flux	1.350 lm

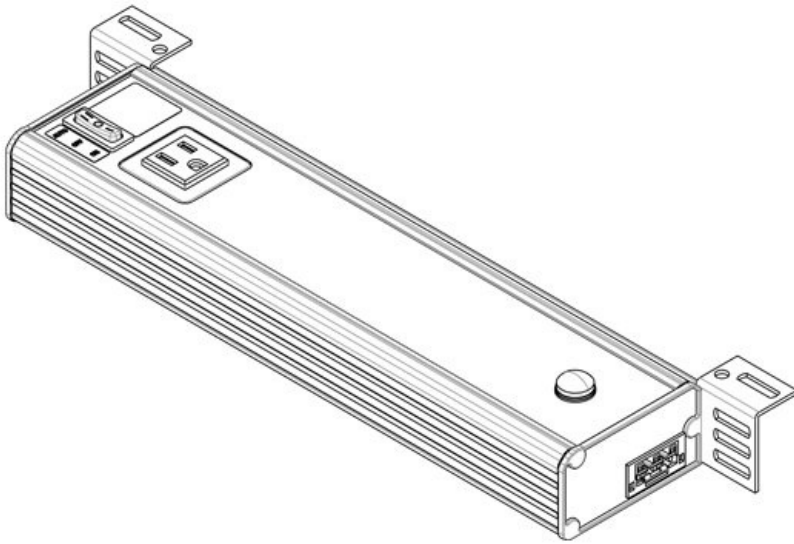
ALU-LINE 350 | EU with motion sensor



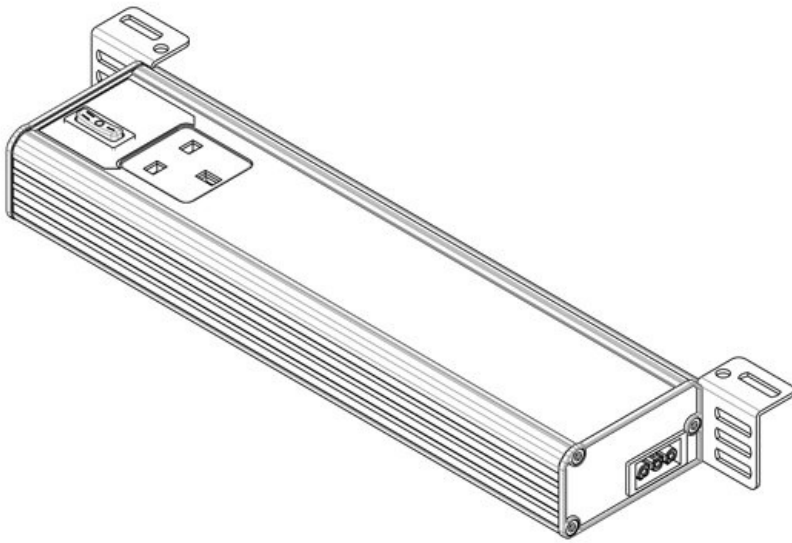
Part No.	81309	Connection possibilities	Feed-in, Through-wiring
EAN	4251269332920	Connector type	GST 18 socket
Package quantity	1	Rated power	12 W
Length	347,2 mm	Operating voltage	230 V AC +/-5%, 50 - 60 Hz
Height	48 mm	Test standard	EN 60598, EN 62471, EN 55015, EN 61000 I (Protective conductor connection)
Width	112,6 mm	Protection class	I (Protective conductor connection)
Version	Socket D/Schuko (Type F, CEE 7/3, PIR motion detector)	Guidelines	2014/35/EU, 2014/30/EU
		Service life	50.000 h
		Energy efficiency class	F
		Consumption kWh/1000 h	13
		Colour temperature	5.600 K
		Colour rendering index CRI	>80
		Luminous flux	1.350 lm



Part No.	81402	Version	Steckdose_U S_Typ_B_NEM
EAN			A-5
Package quantity	1	Connection possibilities	Door operated switch, Through-wiring, Feed-in
UL Certificate	cURus (in progress)	Connector type	GST 18 socket
Length	347,2 mm	Rated power	9 W
Height	48 mm	Operating voltage	100 - 240 V AC
Width	112,6 mm	Test standard	EN 60598, EN 62471, EN 55015, EN 61000
		Protection class	I (Protective conductor connection)
		Guidelines	2014/35/EU, 2014/30/EU
		Service life	50.000 h
		Energy efficiency class	F
		Consumption kWh/1000 h	13
		Colour temperature	5.600 K
		Colour rendering index CRI	>80
		Luminous flux	1.280 lm

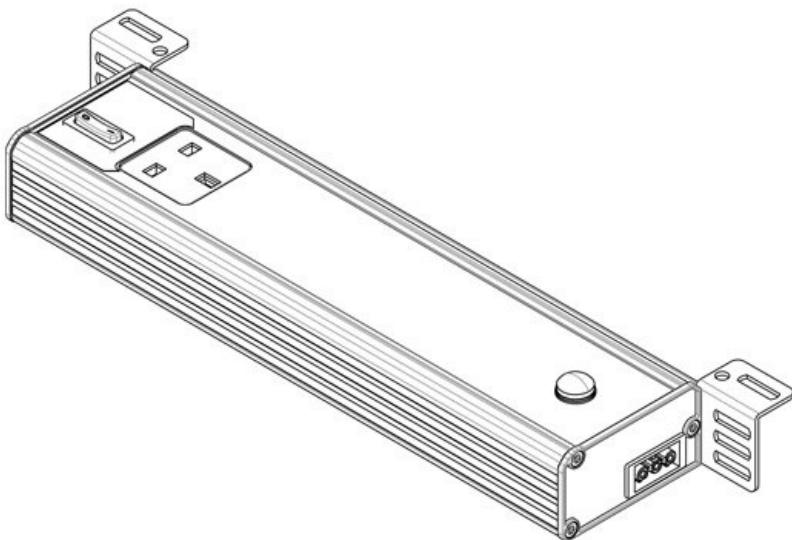


Part No.	81400	Version	PIR motion detector,
EAN	4251269333		Steckdose_U
	477		S_Typ_A_NEM
Package quantity	1		A-5
UL Certificate	cURus (in progress)	Connection possibilities	Feed-in, Through-wiring
Length	347,2 mm	Connector type	GST 18 socket
Height	48 mm	Rated power	9 W
Width	112,6 mm	Operating voltage	100 - 240 V AC
		Test standard	EN 60598, EN 62471, EN 55015, EN 61000
		Protection class	I (Protective conductor connection)
		Guidelines	2014/35/EU, 2014/30/EU
		Service life	50.000 h
		Energy efficiency class	F
		Consumption kWh/1000 h	13
		Colour temperature	5.600 K
		Colour rendering index CRI	>80
		Luminous flux	1.280 lm



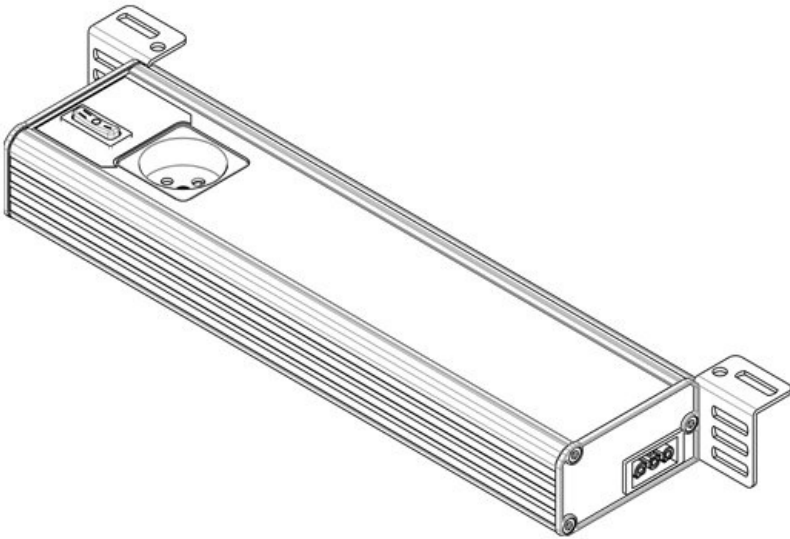
Part No.	81303	Connection possibilities	Door operated switch, Through-wiring, Feed-in
EAN	4251269332913	Connector type	GST 18 socket
Package quantity	1	Rated power	12 W
Length	347,2 mm	Operating voltage	230 V AC +/-5%, 50 - 60 Hz
Height	48 mm	Test standard	EN 60598, EN 62471, EN 55015, EN 61000
Width	112,6 mm	Protection class	I (Protective conductor connection)
Version	Socket GB (Type G, BS 1363)	Guidelines	2014/35/EU, 2014/30/EU
		Service life	50.000 h
		Energy efficiency class	F
		Consumption kWh/1000 h	13
		Colour temperature	5.600 K
		Colour rendering index CRI	>80
		Luminous flux	1.350 lm

ALU-LINE 350 | GB with motion sensor



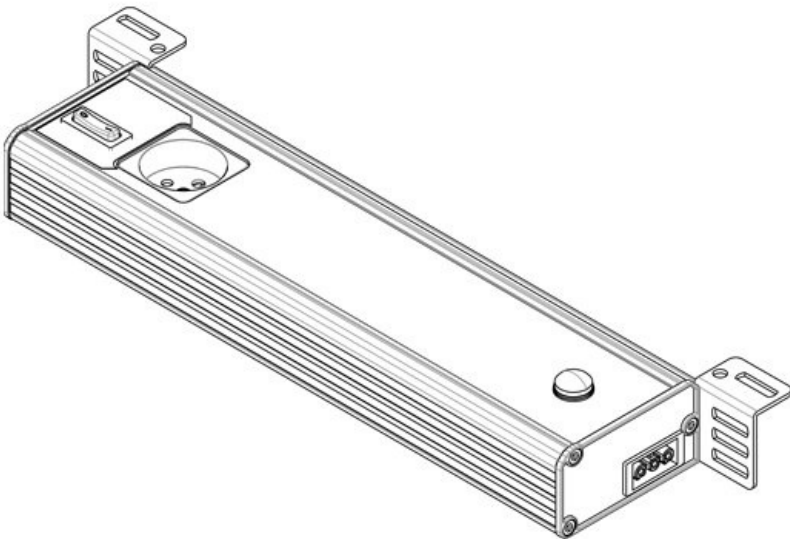
Part No.	81307	Connection possibilities	Feed-in, Through-wiring
EAN	4251269332951	Connector type	GST 18 socket
Package quantity	1	Rated power	12 W
Length	347,2 mm	Operating voltage	230 V AC +/-5%, 50 - 60 Hz
Height	48 mm	Test standard	EN 60598, EN 62471, EN 55015, EN 61000
Width	112,6 mm	Protection class	I (Protective conductor connection)
Version	Socket GB (Type G, BS 1363), PIR motion detector	Guidelines	2014/35/EU, 2014/30/EU
		Service life	50.000 h
		Energy efficiency class	F
		Consumption kWh/1000 h	13
		Colour temperature	5.600 K
		Colour rendering index CRI	>80
		Luminous flux	1.350 lm

ALU-LINE 350 | BE

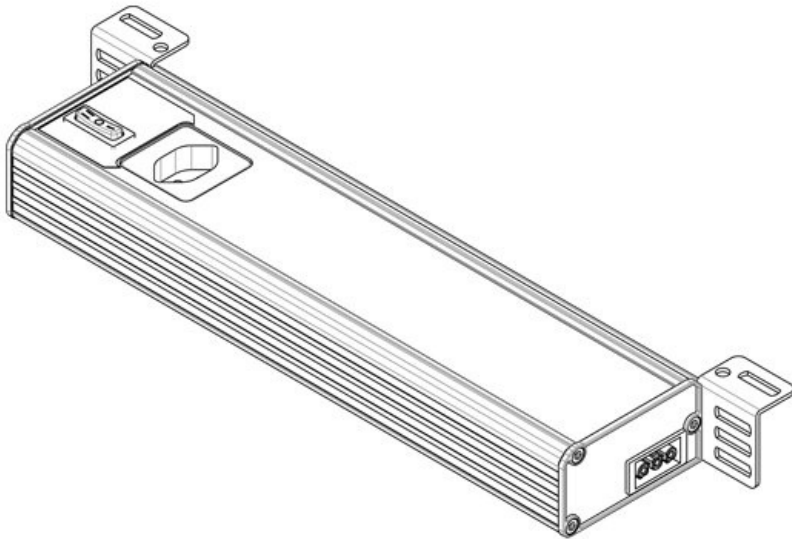


Part No.	81301	Connection possibilities	Door operated switch, Through-wiring, Feed-in
EAN	4251269332890		
Package quantity	1	Connector type	GST 18 socket
Length	347,2 mm	Rated power	12 W
Height	48 mm	Operating voltage	230 V AC +/-5%, 50 - 60 Hz
Width	112,6 mm	Test standard	EN 60598, EN 62471, EN 55015, EN 61000
Version	Socket F/B (Type E, CEE 7/5)	Protection class	I (Protective conductor connection)
		Guidelines	2014/35/EU, 2014/30/EU
		Service life	50.000 h
		Energy efficiency class	F
		Consumption kWh/1000 h	13
		Colour temperature	5.600 K
		Colour rendering index CRI	>80
		Luminous flux	1.350 lm

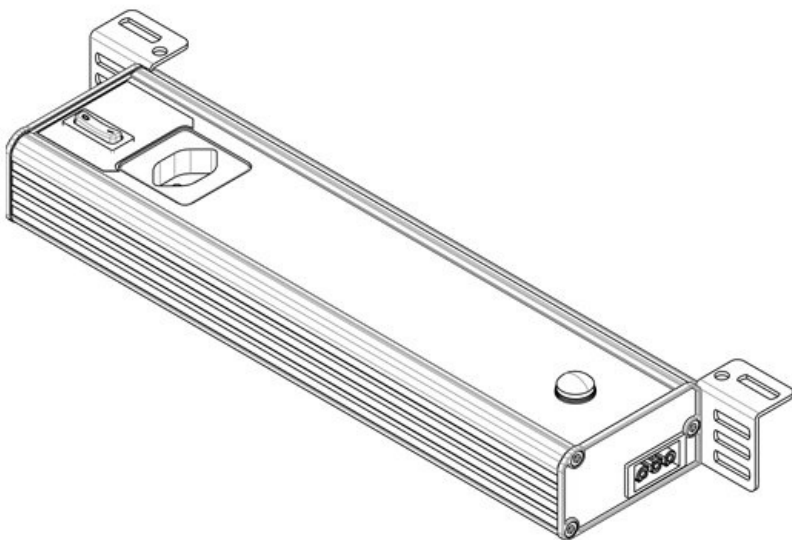
ALU-LINE 350 | BE with motion sensor



Part No.	81305	Connection possibilities	Feed-in, Through-wiring
EAN	4251269332937		
Package quantity	1	Connector type	GST 18 socket
Length	347,2 mm	Rated power	12 W
Height	48 mm	Operating voltage	230 V AC +/-5%, 50 - 60 Hz
Width	112,6 mm	Test standard	EN 60598, EN 62471, EN 55015, EN 61000
Version	PIR motion detector, Socket F/B (Type E, CEE 7/5)	Protection class	I (Protective conductor connection)
		Guidelines	2014/35/EU, 2014/30/EU
		Service life	50.000 h
		Energy efficiency class	F
		Consumption kWh/1000 h	13
		Colour temperature	5.600 K
		Colour rendering index CRI	>80
		Luminous flux	1.350 lm



Part No.	81302	Connection possibilities	Door operated switch, Through-wiring, Feed-in
EAN	4251269332906	Connector type	GST 18 socket
Package quantity	1	Rated power	12 W
Length	347,2 mm	Operating voltage	230 V AC +/-5%, 50 - 60 Hz
Height	48 mm	Test standard	EN 60598, EN 62471, EN 55015, EN 61000
Width	112,6 mm	Protection class	I (Protective conductor connection)
Version	Socket CH (Type J, SEV 1011)	Guidelines	2014/35/EU, 2014/30/EU
		Service life	50.000 h
		Energy efficiency class	F
		Consumption kWh/1000 h	13
		Colour temperature	5.600 K
		Colour rendering index CRI	>80
		Luminous flux	1.350 lm



Part No.	81306	Connection possibilities	Feed-in, Through-wiring
EAN	4251269332944	Connector type	GST 18 socket
Package quantity	1	Rated power	12 W
Length	347,2 mm	Operating voltage	230 V AC +/-5%, 50 - 60 Hz
Height	48 mm	Test standard	EN 60598, EN 62471, EN 55015, EN 61000
Width	112,6 mm	Protection class	I (Protective conductor connection)
Version	PIR motion detector, Socket CH (Type J, SEV 1011)	Guidelines	2014/35/EU, 2014/30/EU
		Service life	50.000 h
		Energy efficiency class	F
		Consumption kWh/1000 h	13
		Colour temperature	5.600 K
		Colour rendering index CRI	>80
		Luminous flux	1.350 lm

Connecting cable for ALU-LINE, 3000 mm



Part No.	81330	Material cable	PVC
EAN	4251269332	sheath	
	968		
Package quantity	1		
Length connecting cable	3.000 mm		
Connector type	Ferrules, GST 18 connector		
Operating voltage	230 V AC		
	±5%, 50 - 75		
	Hz		
Colour	orange		

Connecting cable for ALU-LINE (UL/CSA), 3000 mm



Part No.	81430	Colour	orange
EAN		Material cable	PVC
Package quantity	1	sheath	
UL Certificate	cURus (in progress)		
Length connecting cable	3.000 mm		
Connector type	Ferrules, GST 18 connector		
Operating voltage	230 V AC		
	±5%, 50 - 60		
	Hz		

Through-wiring cable for ALU-LINE, 600 mm



Part No.	81331	Material cable	PVC
EAN	4251269332	sheath	
	975		
Package quantity	1		
Length connecting cable	600 mm		
Connector type	GST 18 connector, GST 18 socket		
Operating voltage	230 V AC		
	±5%, 50 - 60		
	Hz		
Colour	orange		

Through-wiring cable for ALU-LINE (UL/CSA), 600 mm



Part No.	81431	Colour	orange
EAN		Material cable	PVC
Package quantity	1	sheath	
UL Certificate	cURus (in progress)		
Length connecting cable	600 mm		
Connector type	GST 18 connector, GST 18 socket		
Operating voltage	230 V AC ±5%, 50 - 60 Hz		

Through-wiring cable for ALU-LINE, 1000 mm



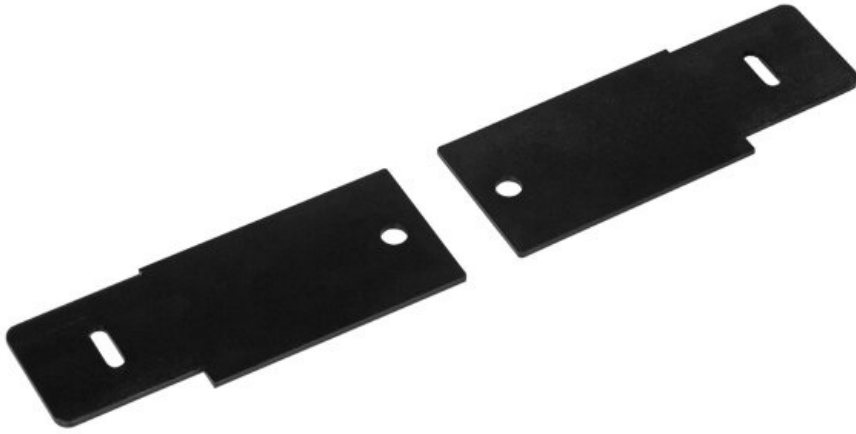
Part No.	81332	Material cable	PVC
EAN	4251269332	sheath	
Package quantity	1		
Length connecting cable	1.000 mm		
Connector type	GST 18 connector, GST 18 socket		
Operating voltage	230 V AC ±5%, 50 - 60 Hz		
Colour	orange		

Through-wiring cable for ALU-LINE (UL/CSA), 1000 mm



Part No.	81432	Colour	orange
EAN		Material cable	PVC
Package quantity	1	sheath	
UL Certificate	cURus (in progress)		
Length connecting cable	1.000 mm		
Connector type	GST 18 connector, GST 18 socket		
Operating voltage	230 V AC ±5%, 50 - 60 Hz		

Mounting plates 19" rack for ALU-LINE



Part No.	81337	Diam. of screw 7 mm
EAN		holes
Package quantity	2	
Length	111 mm	
Width	43,4 mm	
Colour	black	
No. of screw holes	2	

Mounting magnet for ALU-LINE



Part No.	91008	Diam. of screw 4,2 mm
EAN		holes
Package quantity	1	
Length	20 mm	
Height	5 mm	
Width	20 mm	
No. of screw holes	1	