

# KDR-VX25 | Enclosure gland plates

for Rittal VX25 enclosures / IP54



IP54

HL3  
EN 45545-2

RoHS  
compliant

REACH  
COMPLIANCE

Made in  
Germany

KDR-VX25 is a one-piece gland plate to be assembled on enclosure bases. The gland plates are already equipped with cut-outs for the [KEL-U](#), [KEL-FA](#), [KEL-QUICK](#), [KEL-DPR](#) or [KEL-JUMBO](#) cable entry systems.

The threaded mounting holes for the KEL frames are already integrated. Cut-outs which are no longer required are closed with [BPM](#) or [BPK blank plates](#).

The KDR-VX25 gland plate is designed for Rittal VX25 enclosures. Other sizes are also available on request.

## Specifications

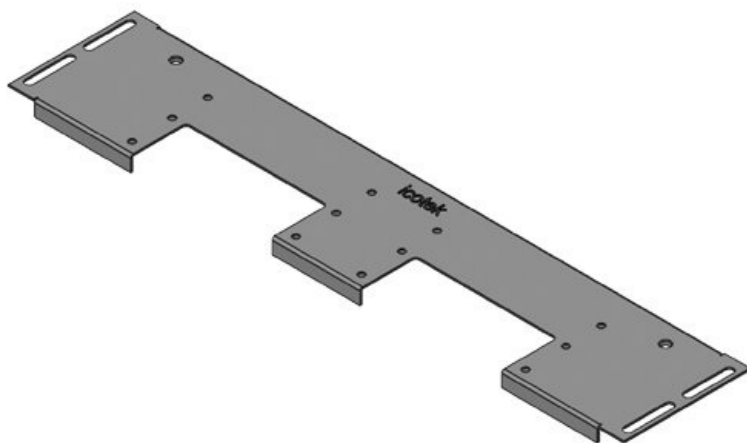
|                             |                                |
|-----------------------------|--------------------------------|
| <b>IP rating (EN 60529)</b> | IP54                           |
| <b>Material</b>             | Base plate: Steel, zinc plated |
| <b>Flame class</b>          | UL94-V0, self-extinguishing    |
| <b>Properties</b>           | silicone free, halogen free    |
| <b>Mounting options</b>     | Screw type mounting            |

## Advantages & benefits

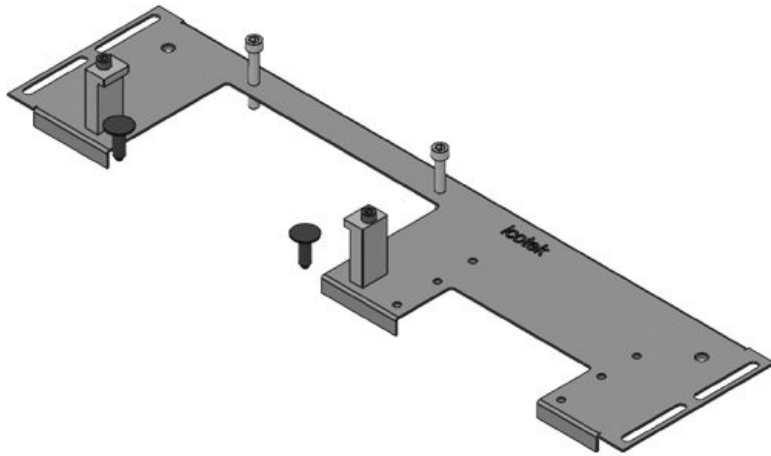
- Easy assembly of KEL-U, KEL-FA, KEL-QUICK, KEL-DPR, KEL-JUMBO
- Prepared for the assembly of KDR-EMC-PFM
- Threaded pull-through for earthing tape integrated
- Ideal for maintenance and retrofitting
- Reserve can be scheduled
- Space-saving solution
- No additional sheet metal work required
- Very large connectors can be inserted with ease

## Product types & sizes

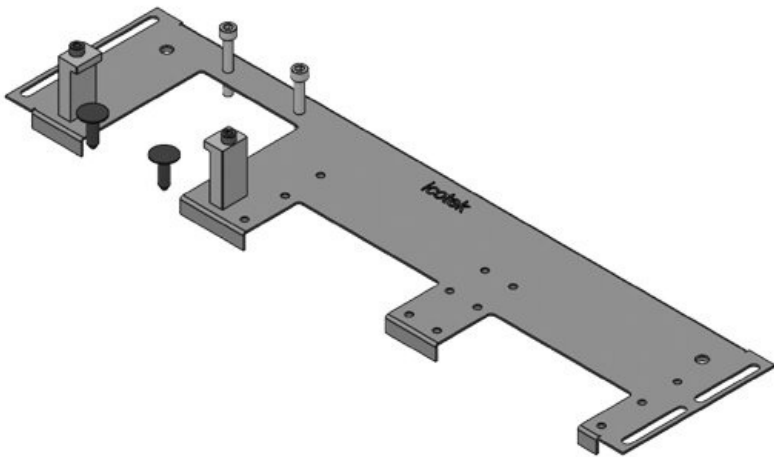
KDR-VX25-600-44300



|              |                   |               |                      |
|--------------|-------------------|---------------|----------------------|
| Part No.     | <b>44300</b>      | For enclosure | <b>600 mm</b>        |
| EAN          | <b>4251269336</b> | width         |                      |
|              | <b>430</b>        | Sight size of | <b>452 mm</b>        |
| Package      | <b>1</b>          | base opening  |                      |
| quantity     |                   | Suitable for  | <b>2 x KEL-U 24</b>  |
| Length       | <b>488 mm</b>     | cable entry   | <b>/ KEL-FA 24 /</b> |
| Width        | <b>100 mm</b>     | systems:      | <b>KEL-QUICK</b>     |
| Height       | <b>12 mm</b>      |               | <b>24</b>            |
| Total length | <b>488 mm</b>     | Suitable for  | <b>Rittal VX25</b>   |
| gland plate  |                   | enclosure     |                      |



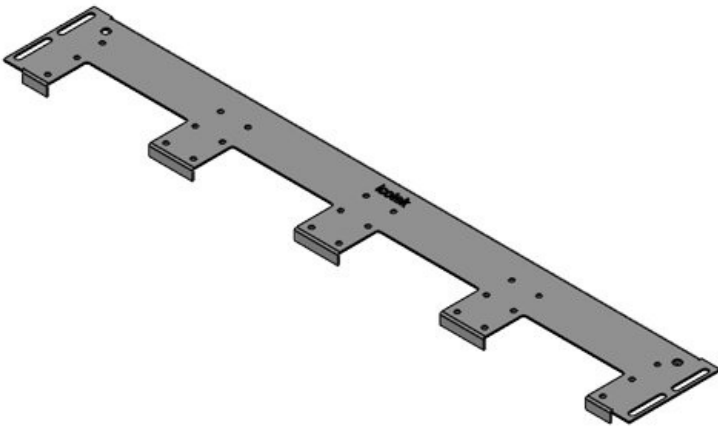
|              |                   |               |                     |
|--------------|-------------------|---------------|---------------------|
| Part No.     | <b>44301</b>      | For enclosure | <b>600 mm</b>       |
| EAN          | <b>4251269336</b> | width         |                     |
|              | <b>447</b>        | Sight size of | <b>452 mm</b>       |
| Package      | <b>1</b>          | base opening  |                     |
| quantity     |                   | Suitable for  | <b>1 × KEL-</b>     |
| Length       | <b>488 mm</b>     | cable entry   | <b>JUMBO 2   1</b>  |
| Width        | <b>120 mm</b>     | systems:      | <b>× KEL-U 24 /</b> |
| Height       | <b>12 mm</b>      |               | <b>KEL-FA 24 /</b>  |
| Total length | <b>488 mm</b>     |               | <b>KEL-QUICK</b>    |
| gland plate  |                   |               | <b>24</b>           |
|              |                   | Suitable for  | <b>Rittal VX25</b>  |
|              |                   | enclosure     |                     |



|              |                   |               |                     |
|--------------|-------------------|---------------|---------------------|
| Part No.     | <b>44302</b>      | For enclosure | <b>600 mm</b>       |
| EAN          | <b>4251269336</b> | width         |                     |
|              | <b>454</b>        | Sight size of | <b>452 mm</b>       |
| Package      | <b>1</b>          | base opening  |                     |
| quantity     |                   | Suitable for  | <b>1 × KEL-</b>     |
| Length       | <b>488 mm</b>     | cable entry   | <b>JUMBO 1   2</b>  |
| Width        | <b>120 mm</b>     | systems:      | <b>× KEL-U 24 /</b> |
| Height       | <b>12 mm</b>      |               | <b>KEL-FA 24 /</b>  |
| Total length | <b>488 mm</b>     |               | <b>KEL-QUICK</b>    |
| gland plate  |                   |               | <b>24</b>           |
|              |                   | Suitable for  | <b>Rittal VX25</b>  |
|              |                   | enclosure     |                     |

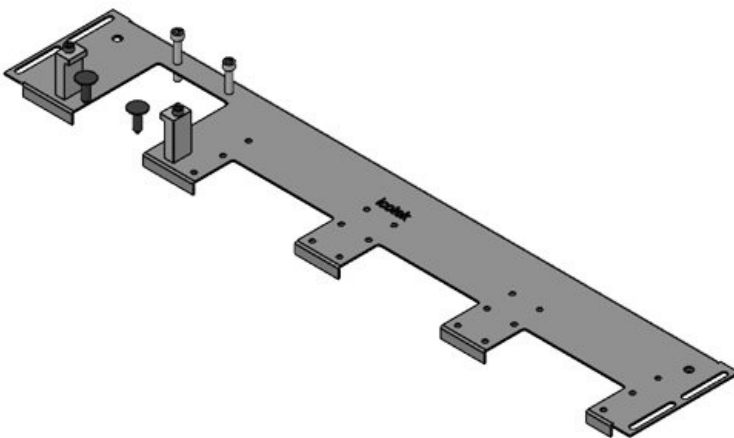
KDR-VX25-800-44303

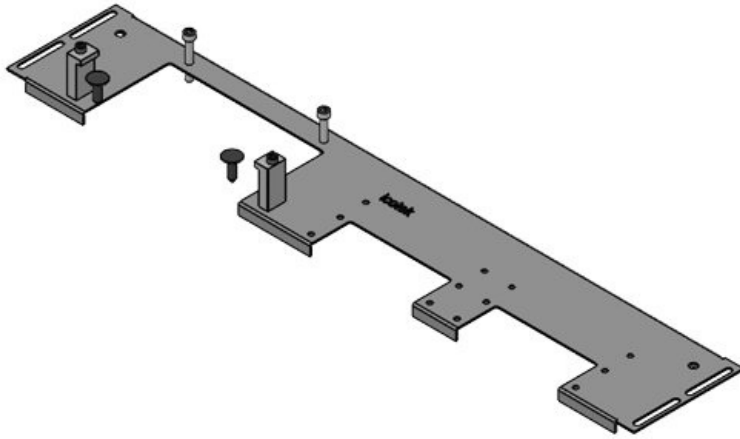
|              |                   |               |                      |
|--------------|-------------------|---------------|----------------------|
| Part No.     | <b>44303</b>      | For enclosure | <b>800 mm</b>        |
| EAN          | <b>4251269336</b> | width         |                      |
|              | <b>461</b>        | Sight size of | <b>652 mm</b>        |
| Package      | <b>1</b>          | base opening  |                      |
| quantity     |                   | Suitable for  | <b>4 × KEL-U 24</b>  |
| Length       | <b>688 mm</b>     | cable entry   | <b>/ KEL-FA 24 /</b> |
| Width        | <b>100 mm</b>     | systems:      | <b>KEL-QUICK</b>     |
| Height       | <b>12 mm</b>      |               | <b>24</b>            |
| Total length | <b>688 mm</b>     | Suitable for  | <b>Rittal VX25</b>   |
| gland plate  |                   | enclosure     |                      |



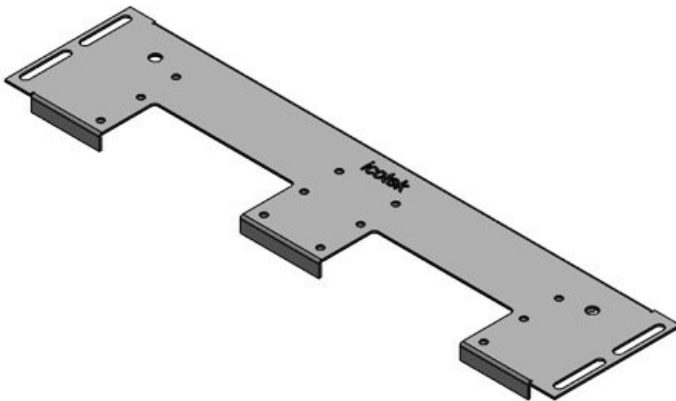
KDR-VX25-800-44304

|              |                   |               |                     |
|--------------|-------------------|---------------|---------------------|
| Part No.     | <b>44304</b>      | For enclosure | <b>800 mm</b>       |
| EAN          | <b>4251269336</b> | width         |                     |
|              | <b>478</b>        | Sight size of | <b>652 mm</b>       |
| Package      | <b>1</b>          | base opening  |                     |
| quantity     |                   | Suitable for  | <b>1 × KEL-</b>     |
| Length       | <b>688 mm</b>     | cable entry   | <b>JUMBO 1   3</b>  |
| Width        | <b>120 mm</b>     | systems:      | <b>× KEL-U 24 /</b> |
| Height       | <b>12 mm</b>      |               | <b>KEL-FA 24 /</b>  |
| Total length | <b>688 mm</b>     |               | <b>KEL-QUICK</b>    |
| gland plate  |                   |               | <b>24</b>           |
|              |                   | Suitable for  | <b>Rittal VX25</b>  |
|              |                   | enclosure     |                     |





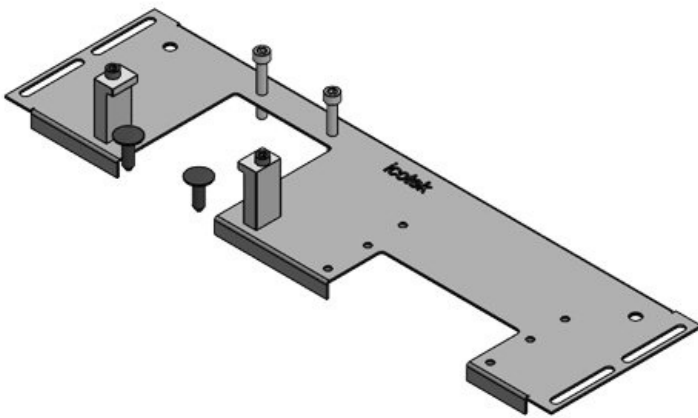
|                          |                   |                                   |  |
|--------------------------|-------------------|-----------------------------------|--|
| Part No.                 | <b>44305</b>      | For enclosure width               | <b>800 mm</b>  |
| EAN                      | <b>4251269336</b> | Sight size of base opening        | <b>652 mm</b>  |
| Package quantity         | <b>1</b>          | Suitable for cable entry systems: | <b>1 × KEL-JUMBO 2   2 × KEL-U 24 / KEL-FA 24 / KEL-QUICK 24</b> |
| Length                   | <b>688 mm</b>     |                                   |  |
| Width                    | <b>120 mm</b>     |                                   |  |
| Height                   | <b>12 mm</b>      |                                   |  |
| Total length gland plate | <b>688 mm</b>     | Suitable for enclosure            | <b>Rittal VX25</b>   |



|                          |                   |                                   |  |
|--------------------------|-------------------|-----------------------------------|--|
| Part No.                 | <b>44306</b>      | For enclosure width               | <b>1.000 mm</b>                                |
| EAN                      | <b>4251269336</b> | Sight size of base opening        | <b>402 mm</b>                                  |
| Package quantity         | <b>1</b>          | Division bar                      | <b>yes</b>                                     |
| Length                   | <b>438 mm</b>     | Suitable for cable entry systems: | <b>2 × KEL-U 24 / KEL-FA 24 / KEL-QUICK 24</b> |
| Width                    | <b>100 mm</b>     |                                   |  |
| Height                   | <b>12 mm</b>      |                                   |  |
| Total length gland plate | <b>438 mm</b>     | Suitable for enclosure            | <b>Rittal VX25</b>                             |

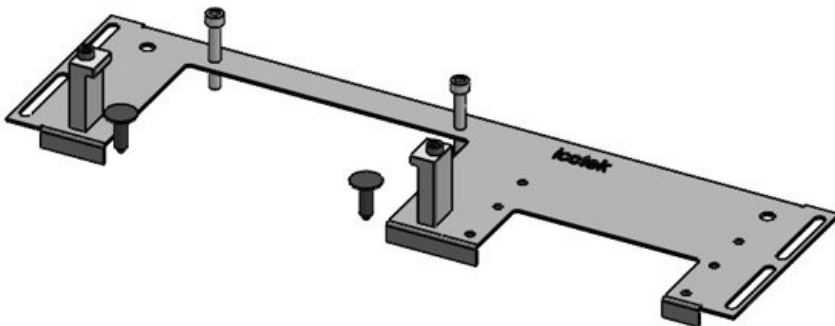
KDR-VX25-1000-44307

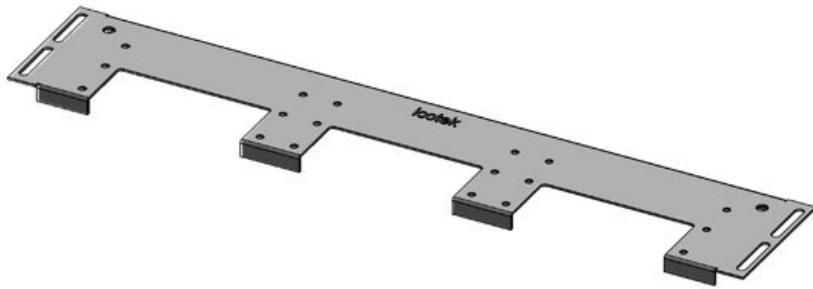
|                          |                   |                                   |  |
|--------------------------|-------------------|-----------------------------------|--|
| Part No.                 | <b>44307</b>      | For enclosure width               | <b>1.000 mm</b>  |
| EAN                      | <b>4251269336</b> | Sight size of base opening        | <b>402 mm</b>  |
| Package quantity         | <b>1</b>          | Division bar                      | <b>yes</b>   |
| Length                   | <b>438 mm</b>     | Suitable for cable entry systems: | <b>1 × KEL-JUMBO 1   1 × KEL-U 24 / KEL-FA 24 / KEL-QUICK 24</b> |
| Width                    | <b>120 mm</b>     |                                   |  |
| Height                   | <b>12 mm</b>      |                                   |  |
| Total length gland plate | <b>438 mm</b>     | Suitable for enclosure            | <b>Rittal VX25</b>   |



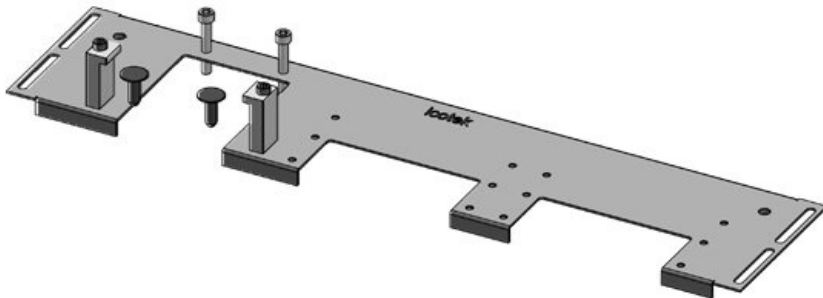
KDR-VX25-1000-44308

|                          |                   |                                   |  |
|--------------------------|-------------------|-----------------------------------|--|
| Part No.                 | <b>44308</b>      | For enclosure width               | <b>1.000 mm</b>  |
| EAN                      | <b>4251269336</b> | Sight size of base opening        | <b>402 mm</b>  |
| Package quantity         | <b>1</b>          | Division bar                      | <b>yes</b>   |
| Length                   | <b>438 mm</b>     | Suitable for cable entry systems: | <b>1 × KEL-JUMBO 2   1 × KEL-U 24 / KEL-FA 24 / KEL-QUICK 24</b> |
| Width                    | <b>120 mm</b>     |                                   |  |
| Height                   | <b>12 mm</b>      |                                   |  |
| Total length gland plate | <b>438 mm</b>     | Suitable for enclosure            | <b>Rittal VX25</b>   |





|                          |                   |                                   |  |
|--------------------------|-------------------|-----------------------------------|--|
| Part No.                 | <b>44309</b>      | For enclosure width               | <b>1.200 mm</b>                                |
| EAN                      | <b>4251269336</b> | Sight size of base opening        | <b>502 mm</b>                                  |
| Package quantity         | <b>1</b>          | Suitable for cable entry systems: | <b>3 × KEL-U 24 / KEL-FA 24 / KEL-QUICK 24</b> |
| Length                   | <b>538 mm</b>     | Suitable for enclosure            | <b>Rittal VX25</b>                             |
| Width                    | <b>100 mm</b>     |                                   |  |
| Height                   | <b>12 mm</b>      |                                   |  |
| Total length gland plate | <b>538 mm</b>     |                                   |  |



|                          |                   |                                   |  |
|--------------------------|-------------------|-----------------------------------|--|
| Part No.                 | <b>44310</b>      | For enclosure width               | <b>1.200 mm</b>  |
| EAN                      | <b>4251269336</b> | Sight size of base opening        | <b>502 mm</b>  |
| Package quantity         | <b>1</b>          | Suitable for cable entry systems: | <b>1 × KEL-JUMBO 1   2 × KEL-U 24 / KEL-FA 24 / KEL-QUICK 24</b> |
| Length                   | <b>538 mm</b>     | Suitable for enclosure            | <b>Rittal VX25</b>   |
| Width                    | <b>120 mm</b>     |                                   |  |
| Height                   | <b>12 mm</b>      |                                   |  |
| Total length gland plate | <b>538 mm</b>     |                                   |  |

|                          |                   |                                   |  |
|--------------------------|-------------------|-----------------------------------|--|
| Part No.                 | <b>44311</b>      | For enclosure width               | <b>1.200 mm</b>  |
| EAN                      | <b>4251269336</b> | Sight size of base opening        | <b>502 mm</b>  |
| Package quantity         | <b>1</b>          | Suitable for cable entry systems: | <b>1 × KEL-JUMBO 2   1 × KEL-U 24 / KEL-FA 24 / KEL-QUICK 24</b> |
| Length                   | <b>538 mm</b>     |                                   |  |
| Width                    | <b>120 mm</b>     |                                   |  |
| Height                   | <b>12 mm</b>      |                                   |  |
| Total length gland plate | <b>538 mm</b>     | Suitable for enclosure            | <b>Rittal VX25</b>   |

