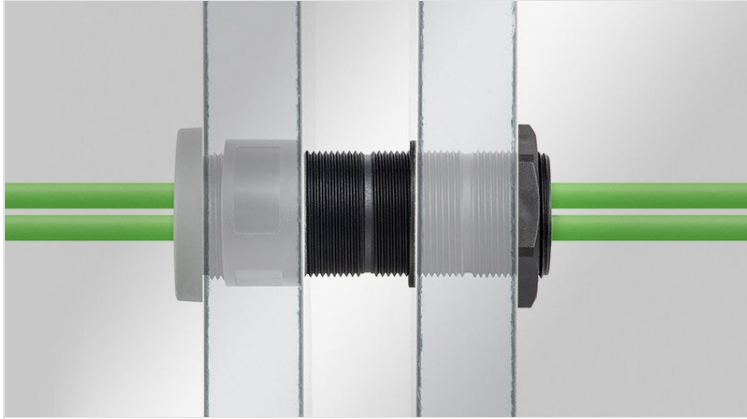


# TE | Thread extension

for cable glands and cable entry plates, M32 / M50 / M63



The icotek [cable glands](#) and [cable entry plates](#) with metric thread are screwed with a locknut during assembly. If the thread lengths are not sufficient, for example when

mounting on sandwich panels or thick concrete walls, icotek offers a practical solution: the icotek thread extension!

The icotek thread extension is available in three sizes (M32, M50, M63) and in three lengths (35 mm, 60 mm, 120 mm) and represents a real innovation in the field of cable management. The different lengths can be flexibly combined or shortened at the designated points. This means that not only very large, but also dimensionally accurate distances can be overcome when routing the cable. Due to their stable construction, almost any number of thread extensions can be screwed together.

Cut-out size: 37 / 55 / 68 mm (standard sizes for hole saws)

## Adapter TE-MA

The TE-MA adapter is available as a supplement to the thread extensions, which can be joined together in almost any order. This allows thread extensions of the same diameter to be screwed together in opposite directions so that a cable gland or cable entry can be fitted on both sides. This enables routing and sealing on both sides of the wall.

## Cover panel AB-M

Core drills with diameters from 80 mm are very often used to make wall openings in cleanrooms, cold storage rooms, buildings, etc. In order to be able to use the TE thread extension for such wall openings, the AB-M150 cover plates are used. [More information »](#)

(The cable glands / cable entry plates shown are not included in the scope of delivery)

## Specifications

<b>Material</b>	Polyamide
<b>Flame class</b>	UL94-V0, self-extinguishing
<b>Operating temperature</b>	-40 C° to 140 C°
<b>Properties</b>	silicone free, halogen free
<b>Mounting options</b>	Fasten with locknut

## Advantages & benefits

- Wide range of applications in different industries such as construction, building services, caravans, cleanroom and more.
- Especially suitable for sandwich panels of all wall thicknesses
- IP protection of the cable gland or cable entry plate used remains in place
- Almost endless extension possible
- TE-MA: Use of the thread extension on both sides
- Different thread lengths can be flexibly combined with each other
- Larger lengths can be shortened at the notch between the threads, without damaging the threads
- Milled recess for wrench size for easy tightening of the screw connection
- Fits to all round icotek cable glands and cable entry plates M32 / M50 / M63

## Product types & sizes

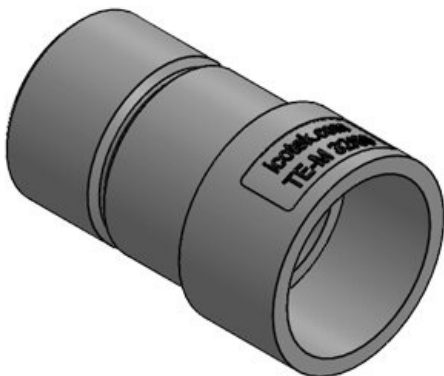
TE-M32|35

Part No.	<b>52300</b>	Wrench size	<b>SW 35</b>
EAN	<b>4251269332449</b>	Cut-out size, round	<b>37 mm</b>
Package quantity	<b>5</b>	Thread	<b>M32 × 1,5</b>
Max. cable diameter	<b>25 mm</b>		
Colour	<b>black</b>		
Length	<b>35 mm</b>		
External diameter	<b>36,5 mm</b>		



TE-M32|60

Part No.	<b>52301</b>	Wrench size	<b>SW 35</b>
EAN	<b>4251269332456</b>	Cut-out size, round	<b>37 mm</b>
Package quantity	<b>5</b>	Thread	<b>M32 × 1,5</b>
Max. cable diameter	<b>25 mm</b>		
Colour	<b>black</b>		
Length	<b>60 mm</b>		
External diameter	<b>36,5 mm</b>		



**TE-M32|120**

Part No.	<b>52302</b>	Wrench size	<b>SW 35</b>
EAN	<b>4251269332</b>	Cut-out size, round	<b>37 mm</b>
	<b>463</b>	Thread	<b>M32 × 1,5</b>
Package quantity	<b>5</b>		
Max. cable diameter	<b>25 mm</b>		
Colour	<b>black</b>		
Length	<b>120 mm</b>		
External diameter	<b>36,5 mm</b>		

**TE-MA 32**

Part No.	<b>52305</b>	Wrench size	<b>SW 35</b>
EAN	<b>4251269335</b>	Cut-out size, round	<b>37 mm</b>
	<b>365</b>	Thread	<b>M32 × 1,5</b>
Package quantity	<b>5</b>		
Max. cable diameter	<b>25 mm</b>		
Colour	<b>black</b>		
Length	<b>38 mm</b>		
External diameter	<b>36,5 mm</b>		



**TE-M50|35**

Part No.	<b>52310</b>	Wrench size	<b>SW 53</b>
EAN	<b>4251269332</b>	Cut-out size, round	<b>55 mm</b>
	<b>470</b>		
Package quantity	<b>5</b>	Thread	<b>M50 × 1,5</b>
Max. cable diameter	<b>43 mm</b>		
Colour	<b>black</b>		
Length	<b>35 mm</b>		
External diameter	<b>54,5 mm</b>		

**TE-M50|60**

Part No.	<b>52311</b>	Wrench size	<b>SW 53</b>
EAN	<b>4251269332</b>	Cut-out size, round	<b>55 mm</b>
	<b>487</b>		
Package quantity	<b>5</b>	Thread	<b>M50 × 1,5</b>
Max. cable diameter	<b>43 mm</b>		
Colour	<b>black</b>		
Length	<b>60 mm</b>		
External diameter	<b>54,5 mm</b>		



**TE-M50|120**

Part No.	<b>52312</b>	Wrench size	<b>SW 53</b>
EAN	<b>4251269332</b>	Cut-out size, round	<b>55 mm</b>
	<b>494</b>	Thread	<b>M50 × 1,5</b>
Package quantity	<b>5</b>		
Max. cable diameter	<b>43 mm</b>		
Colour	<b>black</b>		
Length	<b>120 mm</b>		
External diameter	<b>54,5 mm</b>		

**TE-MA 50**

Part No.	<b>52307</b>	Wrench size	<b>SW 53</b>
EAN	<b>4251269335</b>	Cut-out size, round	<b>55 mm</b>
	<b>372</b>	Thread	<b>M50 × 1,5</b>
Package quantity	<b>5</b>		
Max. cable diameter	<b>43 mm</b>		
Colour	<b>black</b>		
Length	<b>38 mm</b>		
External diameter	<b>54,5 mm</b>		



**TE-M63|35**

Part No.	<b>52313</b>	Wrench size	<b>SW 66</b>
EAN	<b>4251269333</b>	Cut-out size, round	<b>68 mm</b>
	<b>392</b>		
Package quantity	<b>5</b>	Thread	<b>M63 × 1,5</b>
Max. cable diameter	<b>56 mm</b>		
Colour	<b>black</b>		
Length	<b>35 mm</b>		
External diameter	<b>67,5 mm</b>		

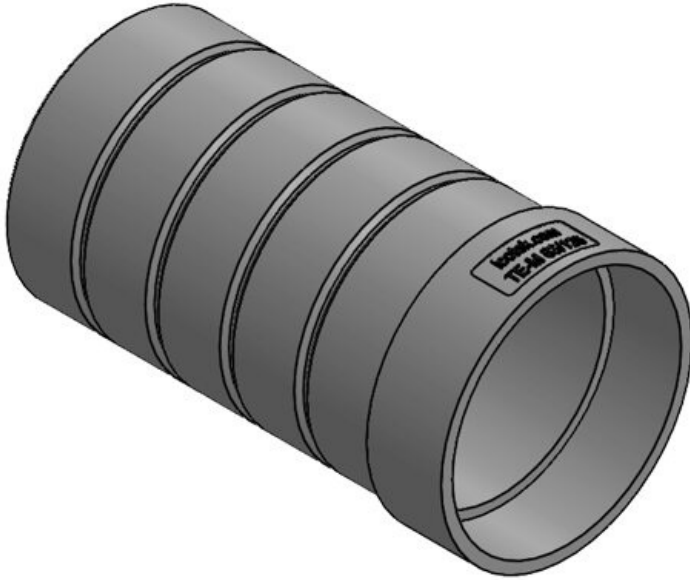
**TE-M63|60**

Part No.	<b>52314</b>	Wrench size	<b>SW 66</b>
EAN	<b>4251269333</b>	Cut-out size, round	<b>68 mm</b>
	<b>408</b>		
Package quantity	<b>5</b>	Thread	<b>M63 × 1,5</b>
Max. cable diameter	<b>56 mm</b>		
Colour	<b>black</b>		
Length	<b>60 mm</b>		
External diameter	<b>67,5 mm</b>		



**TE-M63|120**

Part No.	<b>52315</b>	Wrench size	<b>SW 66</b>
EAN	<b>4251269333415</b>	Cut-out size, round	<b>68 mm</b>
Package quantity	<b>5</b>	Thread	<b>M63 × 1,5</b>
Max. cable diameter	<b>56 mm</b>		
Colour	<b>black</b>		
Length	<b>120 mm</b>		
External diameter	<b>67,5 mm</b>		

**TE-MA 63**

Part No.	<b>52308</b>	Wrench size	<b>SW 66</b>
EAN	<b>4251269335389</b>	Cut-out size, round	<b>68 mm</b>
Package quantity	<b>5</b>	Thread	<b>M63 × 1,5</b>
Max. cable diameter	<b>56 mm</b>		
Colour	<b>black</b>		
Length	<b>38 mm</b>		
External diameter	<b>67,5 mm</b>		

