

KEL-SNAP | Mounting frames

for tool-free snap-in mounting of cable entry frames / IP54 / UL Type 12



The patented KEL-SNAP frame provides a quick snap-in assembly of the [KEL](#) / [KEL-U](#) / [KEL-QUICK](#) / [KEL-FG-A](#) cable entry systems.

Control panels, cabinets or machines can be equipped with the KEL-SNAP frame at delivery, allowing a simple push in of the KEL frame when routing the cables and conduits. Perfect for enclosures that are maintenance intensive or for an install at a later date.

icotek is also offering the snap-in frame as splittable version KEL-SNAP-S in various sizes that makes a subsequent assembly possible.

There's also a [blank plate BPK-SNAP](#) available to close cut-outs of pre-assembled KEL-SNAP frames.

A cut-out of 46 mm also can be chosen instead of 36 mm. Thus prefabricated multi-pin connectors can be used.

Specifications

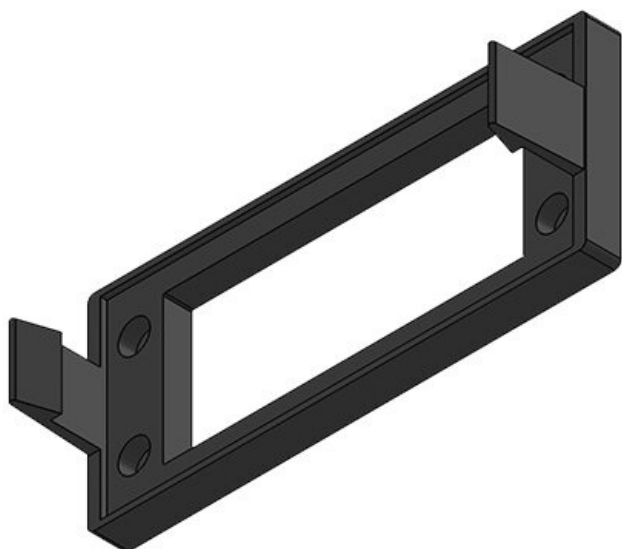
IP rating (EN 60529)	IP54
UL Type (UL 50E)	UL Type 12
Material	Polyamide
Flame class	UL94-V0, self-extinguishing
Operating temperature	-40 C° to 140 C°
Properties	silicone free, halogen free
Mounting options	Screw type mounting
Mounting height	38 mm

Advantages & Benefits

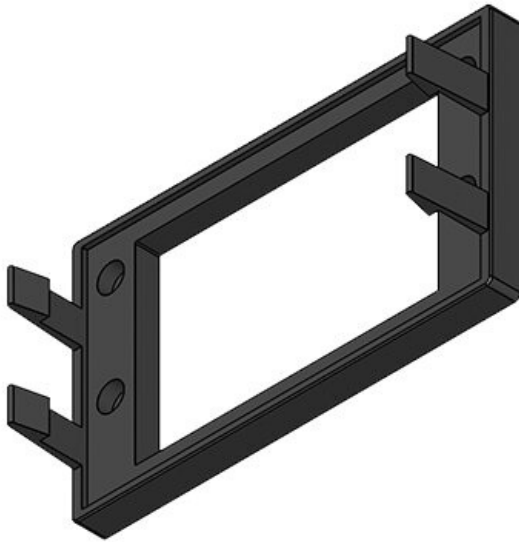
- Upon disassembly (e.g. maintenance) screwing and unscrewing of the cable entry frame is not necessary
- Drilling template identical to cable entry frame (except KEL-SNAP-B)
- Integrated gasket
- Previously assembled cable harnesses are quickly and easily attached
- KEL-SNAP-S: Subsequent assembly possible
- KEL-SNAP-S: There is no need to thread the cables through the snap-on frame as the divisible frame can be snapped together when the lines have already been passed through the cut-out

Product types & Sizes

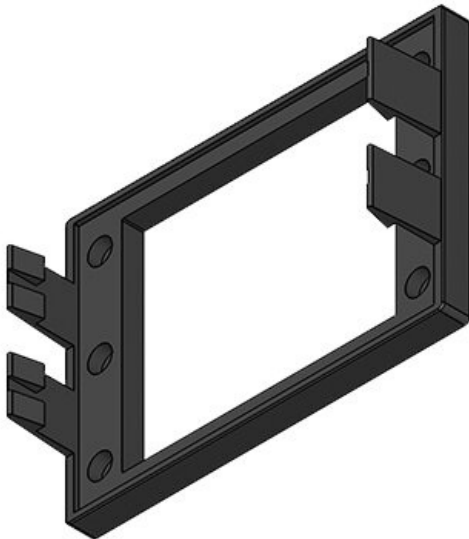
KEL-SNAP 24



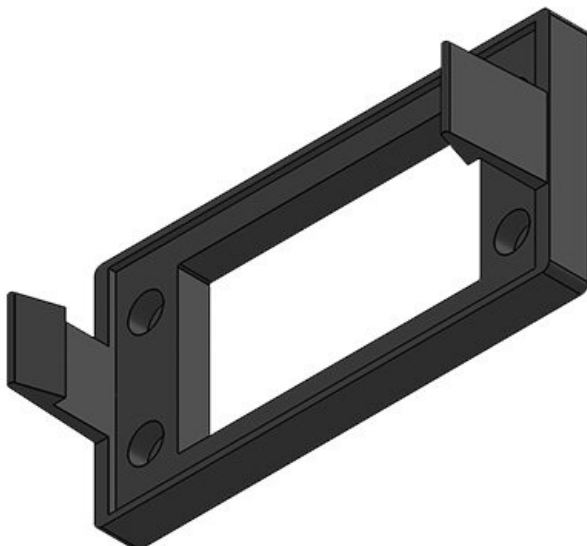
Part No.	42042	No. of screw	4
EAN	4251269307	holes	
	652	Diam. of screw	5,5 mm
Package quantity	10	holes	
Length	155 mm	Suitable for	KEL 24, KEL-U 24, KEL-QUICK 24,
Width	64 mm	cable entry	KEL-FA 24,
Height	38 mm	systems:	KEL-FG-A
Mounting height	38 mm		

KEL-SNAP 24-E

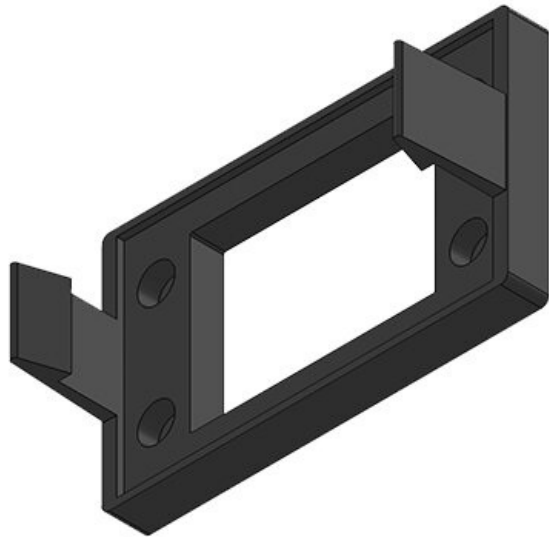
Part No.	42044	No. of screw	4
EAN	4251269307669	holes	
Package quantity	1	Diam. of screw	5,5 mm
Length	155 mm	holes	
Width	89 mm	Suitable for cable entry systems:	KEL 24-E
Height	38 mm		
Mounting height	38 mm		

KEL-SNAP 24-MT

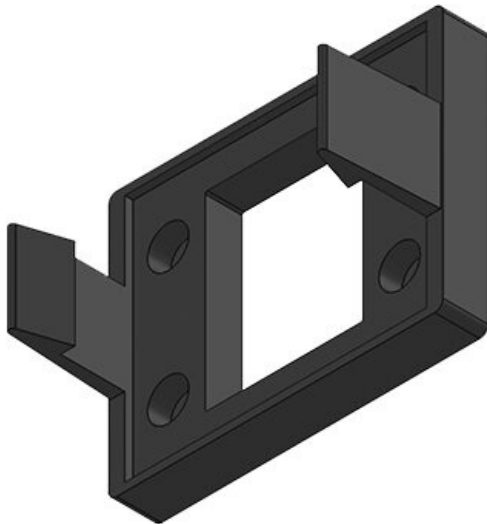
Part No.	42046	No. of screw	6
EAN	4251269307676	holes	
Package quantity	1	Diam. of screw	5,5 mm
Length	155 mm	holes	
Width	108 mm	Suitable for cable entry systems:	KEL 24-MT
Height	38 mm		
Mounting height	38 mm		

KEL-SNAP 16

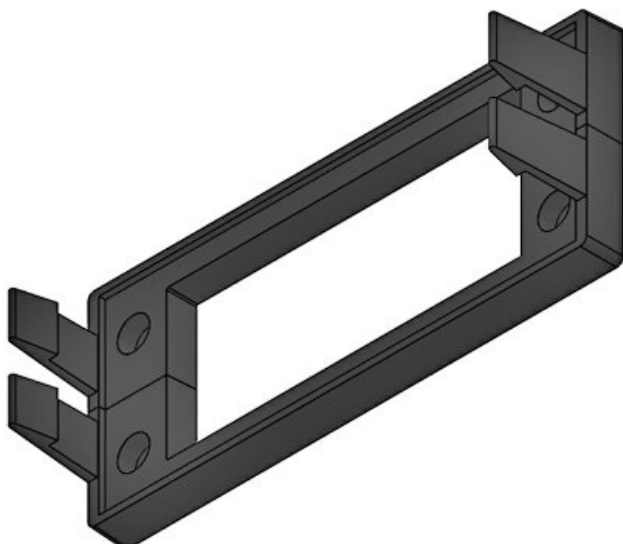
Part No.	42040	No. of screw	4
EAN	4251269307645	holes	
Package quantity	10	Diam. of screw	5,5 mm
Length	128 mm	holes	
Width	64 mm	Suitable for cable entry systems:	KEL 16, KEL-U 16, KEL-FA 16, KEL-QUICK 16
Height	38 mm		
Mounting height	38 mm		

KEL-SNAP 10

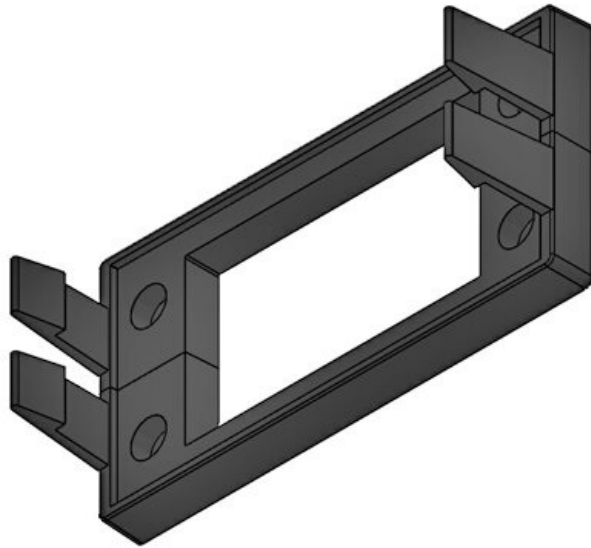
Part No.	42039	No. of screw	4
EAN	4251269307	holes	
	638	Diam. of screw	5,5 mm
Package quantity	10	holes	
Length	108 mm	Suitable for cable entry systems:	KEL 10, KEL-U 10, KEL-FA 10, KEL-QUICK 10
Width	64 mm		
Height	38 mm		
Mounting height	38 mm		

KEL-SNAP-B

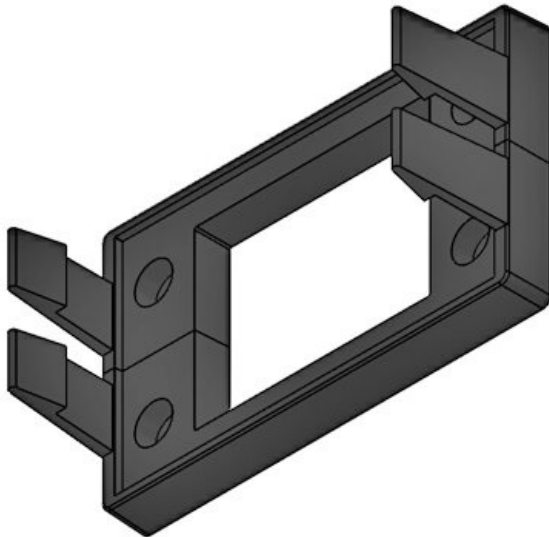
Part No.	42038	No. of screw	4
EAN	4251269307	holes	
	621	Diam. of screw	5,5 mm
Package quantity	10	holes	
Length	81 mm	Suitable for cable entry systems:	KEL-B, KEL-U-B, KEL-QUICK-B
Width	64 mm		
Height	38 mm		
Mounting height	38 mm		

KEL-SNAP-S 24

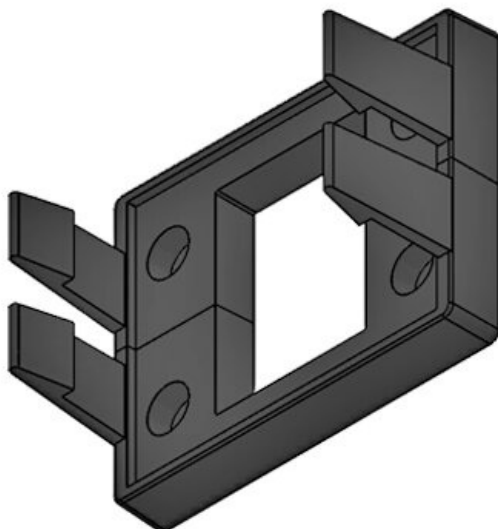
Part No.	42060	No. of screw	4
EAN	4251269323	holes	
	720	Diam. of screw	5,5 mm
Package quantity	10	holes	
Length	155 mm	Suitable for cable entry systems:	KEL 24, KEL-U 24, KEL-QUICK 24, KEL-FA 24, KEL-FG-A
Width	64 mm		
Height	38 mm		
Mounting height	38 mm		

KEL-SNAP-S 16

Part No.	42061	No. of screw	4
EAN	4251269323	holes	
	737	Diam. of screw	5,5 mm
Package quantity	10	holes	
Length	128 mm	Suitable for cable entry systems:	KEL 16, KEL-U 16, KEL-FA 16, KEL-QUICK 16
Width	64 mm		
Height	38 mm		
Mounting height	38 mm		

KEL-SNAP-S 10

Part No.	42062	No. of screw	4
EAN	4251269323	holes	
	744	Diam. of screw	5,5 mm
Package quantity	10	holes	
Length	108 mm	Suitable for cable entry systems:	KEL 10, KEL-U 10, KEL-FA 10, KEL-QUICK 10
Width	64 mm		
Height	38 mm		
Mounting height	38 mm		

KEL-SNAP-S-B

Part No.	42063	No. of screw	4
EAN	4251269323	holes	
	751	Diam. of screw	5,5 mm
Package quantity	10	holes	
Length	81 mm	Suitable for cable entry systems:	KEL-B, KEL-U-B, KEL-QUICK-B
Width	64 mm		
Height	38 mm		
Mounting height	38 mm		

