



IP20

RoHS
compliant

REACH
COMPLIANCE

Made in
Germany

CE

UK
CA

The ALU-LINE system luminaires provides effective lighting in enclosures for industrial and IT applications. Their aluminium housing makes them particularly high-quality and stable.

The ALU-LINE luminaire offers an integrated socket as a practical additional benefit. This is available in EU, CH, BE or GB versions.

The High Power LED illuminates with 1350 lumens and provides a balanced homogeneous area light. Another advantage is that the through-wiring of several luminaires is possible.

Borrow a sample now

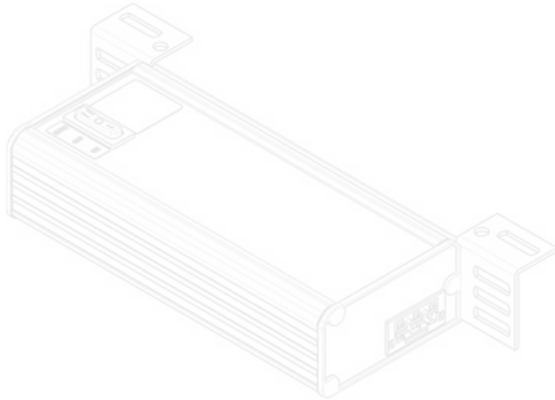


Specifikationer

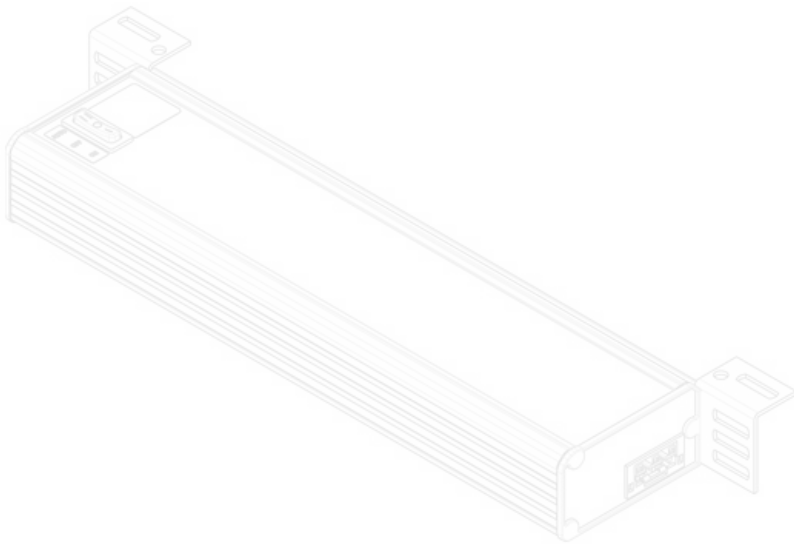
IP-Klass (EN 60529)	IP20
Protection class	I (Protective conductor connection)
Material	Enclosure: Aluminium, extruded Luminaire cover: Polycarbonate
Brandklass	
Temperatur	-20 C° till 50 C°
Monteringstyp	Skruvmontering

Produkttyper och storlekar

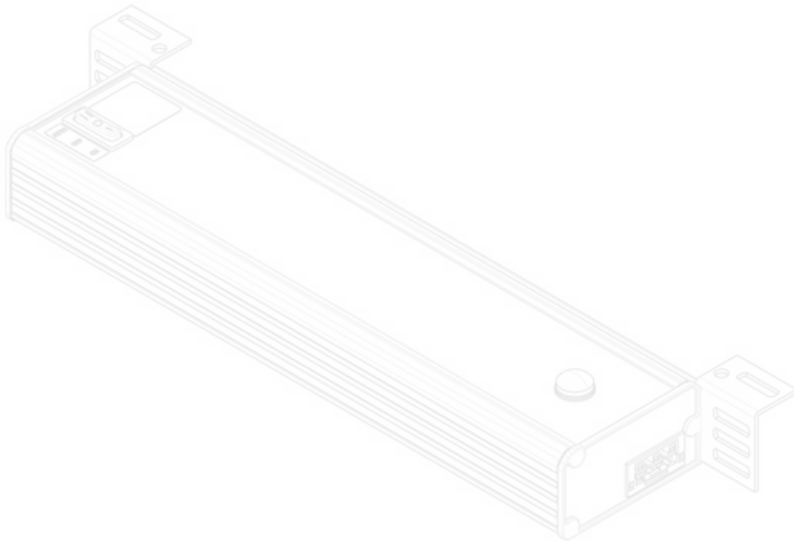
Fördelar



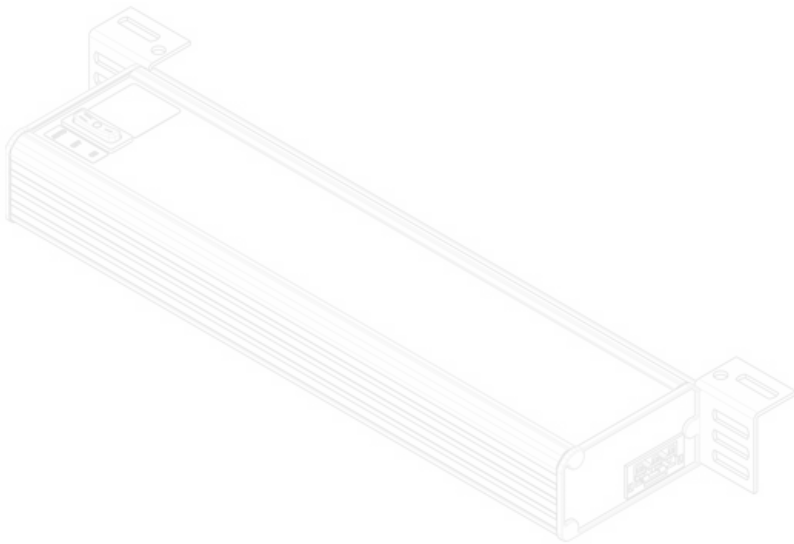
ArtNr.	81404	Connection possibilities	Door operated switch, Through-wiring, Feed-in
EAN		Connector type	GST 18 socket
Antal	1	Rated power	6 W
UL-certifikat	cURus (in progress)	Operating voltage	100 - 240 V AC
Längd	197,2 mm	Test standard	EN 60598, EN 62471, EN 55015, EN 61000
Höjd	48 mm	Protection class	I (Protective conductor connection)
Bredd	112,6 mm	Guidelines	2014/35/EU, 2014/30/EU
		Service life	50.000 h
		Energy efficiency class	F
		Consumption kWh/1000 h	13
		Colour temperature	5.600 K
		Colour rendering index CRI	>80
		Luminous flux	900 lm



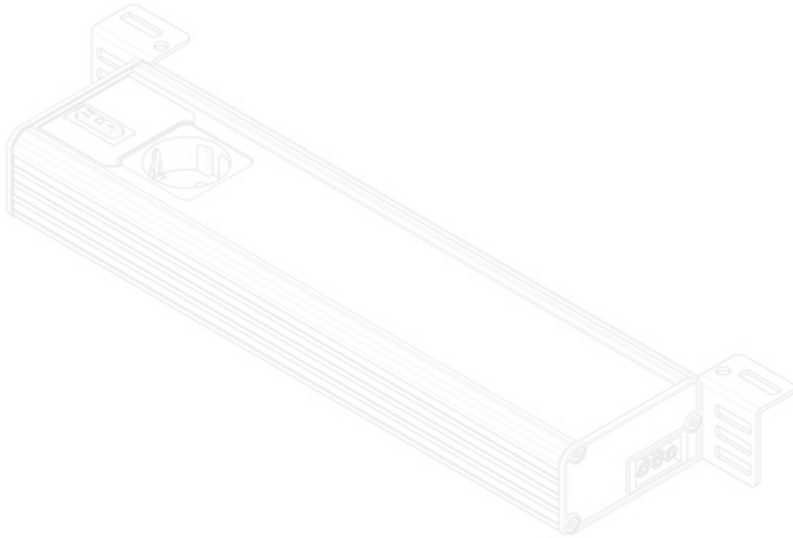
ArtNr.	81403	Connection possibilities	Feed-in, Through-wiring, Door operated switch
EAN			
Antal	1		
UL-certifikat	cURus (in progress)		
Längd	347,2 mm	Connector type	GST 18 socket
Höjd	48 mm	Rated power	9 W
Bredd	112,6 mm	Operating voltage	100 - 240 V AC
		Test standard	EN 60598, EN 62471, EN 55015, EN 61000
		Protection class	I (Protective conductor connection)
		Guidelines	2014/35/EU, 2014/30/EU
		Service life	50.000 h
		Energy efficiency class	F
		Consumption kWh/1000 h	13
		Colour temperature	5.600 K
		Colour rendering index CRI	>80
		Luminous flux	1.280 lm



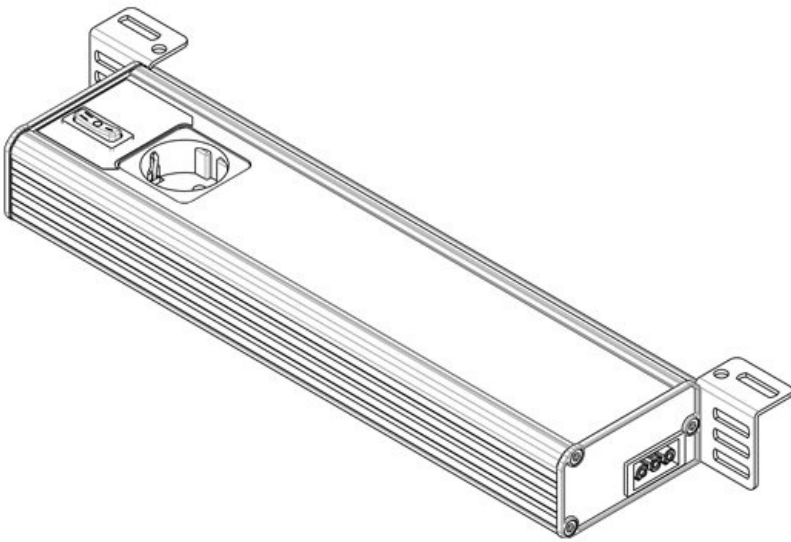
ArtNr.	81401	Version	PIR motion detector
EAN		Connection possibilities	Feed-in, Through-wiring
Antal	1	Connector type	GST 18 socket
UL-certifikat	cURus (in progress)	Rated power	9 W
Längd	347,2 mm	Operating voltage	100 - 240 V AC
Höjd	48 mm	Test standard	EN 60598, EN 62471, EN 55015, EN 61000
Bredd	112,6 mm	Protection class	I (Protective conductor connection)
		Guidelines	2014/35/EU, 2014/30/EU
		Service life	50.000 h
		Energy efficiency class	F
		Consumption kWh/1000 h	13
		Colour temperature	5.600 K
		Colour rendering index CRI	>80
		Luminous flux	1.280 lm



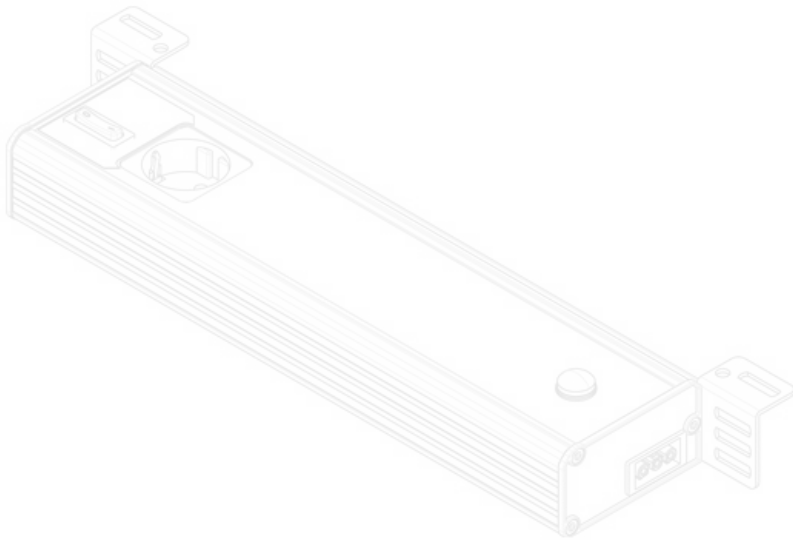
ArtNr.	81408	Connection possibilities	Feed-in, Through-wiring, Door operated switch
EAN			
Antal	1		
UL-certifikat	cURus (in progress)		
Längd	347,2 mm	Connector type	GST 18 socket
Höjd	48 mm	Rated power	9 W
Bredd	112,6 mm	Operating voltage	120 V AC
		Test standard	EN 60598, EN 62471, EN 55015, EN 61000
		Protection class	I (Protective conductor connection)
		Guidelines	2014/35/EU, 2014/30/EU
		Service life	50.000 h
		Energy efficiency class	F
		Consumption kWh/1000 h	13
		Colour temperature	5.600 K
		Colour rendering index CRI	>80
		Luminous flux	1.280 lm



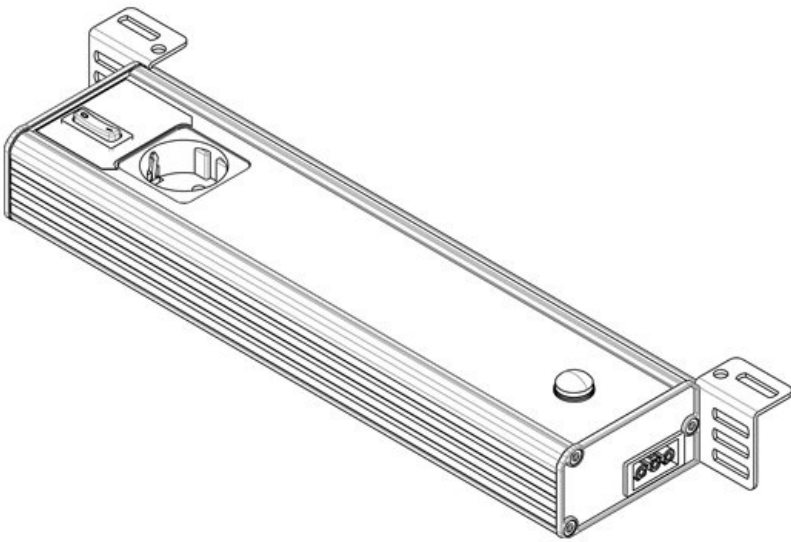
ArtNr.	81300	Connection possibilities	Door operated switch, Through-wiring, Feed-in
EAN	4251269332883	Connector type	GST 18 socket
Antal	1	Rated power	12 W
Längd	347,2 mm	Operating voltage	230 V AC +/-5%, 50 - 60 Hz
Höjd	48 mm	Test standard	EN 60598, EN 62471, EN 55015, EN 61000
Bredd	112,6 mm	Protection class	I (Protective conductor connection)
Version	Socket D/Schuko (Type F, CEE 7/3)	Guidelines	2014/35/EU, 2014/30/EU
		Service life	50.000 h
		Energy efficiency class	F
		Consumption kWh/1000 h	13
		Colour temperature	5.600 K
		Colour rendering index CRI	>80
		Luminous flux	1.350 lm



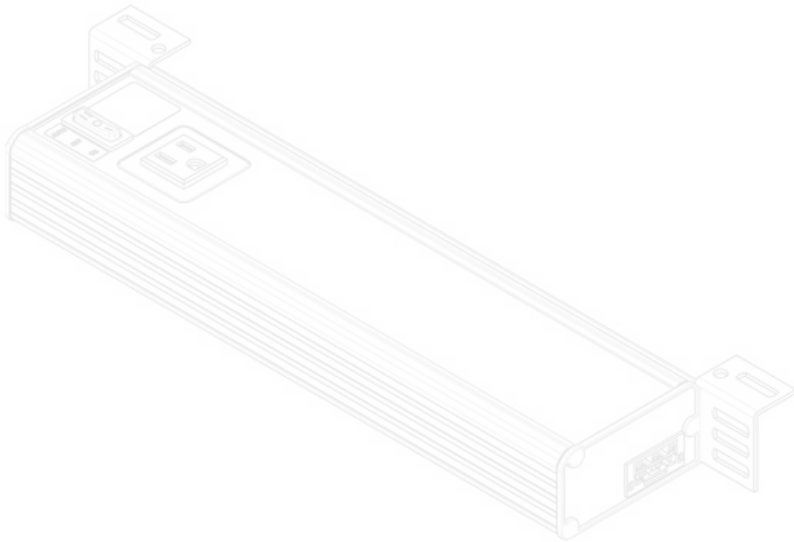
ArtNr.	81308	Connection possibilities	Door operated switch, Through-wiring, Feed-in
EAN			
Antal	1	Connector type	GST 18 socket
Längd	347,2 mm	Rated power	12 W
Höjd	48 mm	Operating voltage	230 V AC +/-5%, 50 - 60 Hz
Bredd	112,6 mm	Test standard	EN 60598, EN 62471, EN 55015, EN 61000
Version	Socket D/Schuko (Type F, CEE 7/3)	Protection class	I (Protective conductor connection)
		Guidelines	2014/35/EU, 2014/30/EU
		Service life	50.000 h
		Energy efficiency class	F
		Consumption kWh/1000 h	13
		Colour temperature	5.600 K
		Colour rendering index CRI	>80
		Luminous flux	1.350 lm



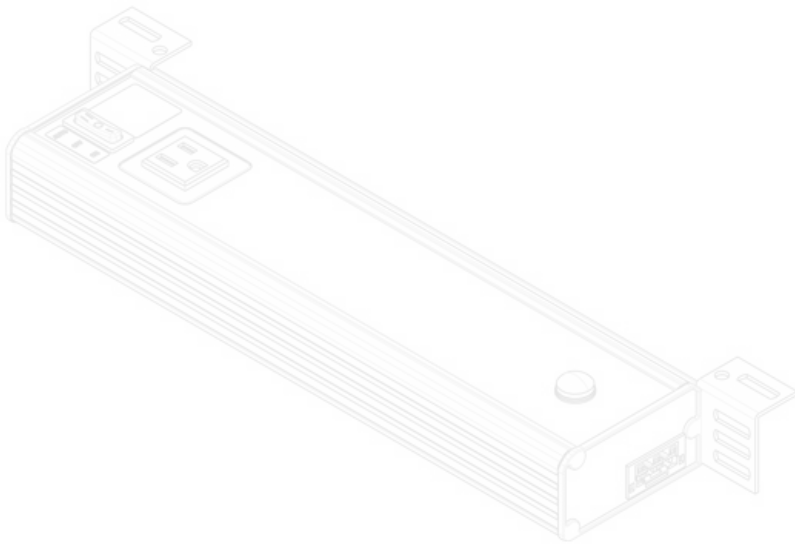
ArtNr.	81304	Connection possibilities	Feed-in, Through-wiring
EAN	4251269332	Connector type	GST 18 socket
Antal	1	Rated power	12 W
Längd	347,2 mm	Operating voltage	230 V AC +/-5%, 50 - 60 Hz
Höjd	48 mm	Test standard	EN 60598, EN 62471, EN 55015, EN 61000 I (Protective conductor connection)
Bredd	112,6 mm	Protection class	2014/35/EU, 2014/30/EU
Version	Socket D/Schuko (Type F, CEE 7/3, PIR motion detector)	Guidelines	50.000 h
		Service life	F
		Energy efficiency class	13
		Consumption kWh/1000 h	5.600 K
		Colour temperature	>80
		Colour rendering index CRI	
		Luminous flux	1.350 lm



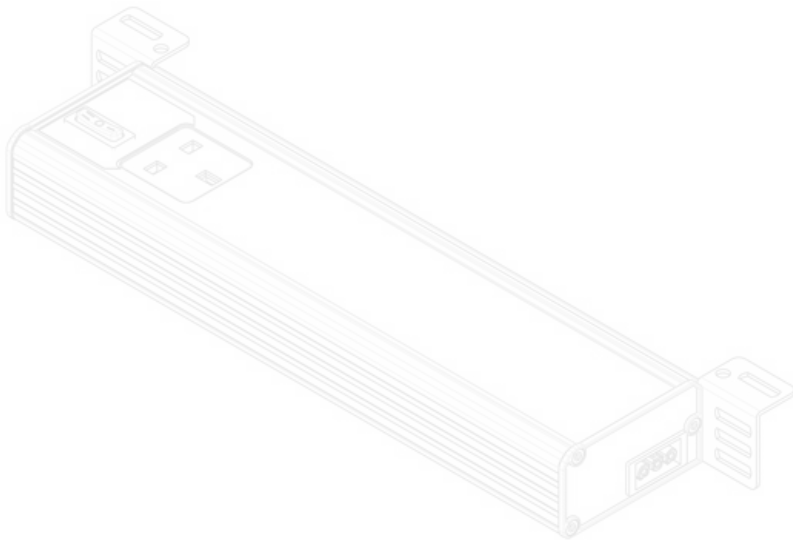
ArtNr.	81309	Connection possibilities	Feed-in, Through-wiring
EAN		Connector type	GST 18 socket
Antal	1	Rated power	12 W
Längd	347,2 mm	Operating voltage	230 V AC +/-5%, 50 - 60 Hz
Höjd	48 mm	Test standard	EN 60598, EN 62471, EN 55015, EN 61000
Bredd	112,6 mm	Protection class	I (Protective conductor connection)
Version	Socket D/Schuko (Type F, CEE 7/3, PIR motion detector)	Guidelines	2014/35/EU, 2014/30/EU
		Service life	50.000 h
		Energy efficiency class	F
		Consumption kWh/1000 h	13
		Colour temperature	5.600 K
		Colour rendering index CRI	>80
		Luminous flux	1.350 lm



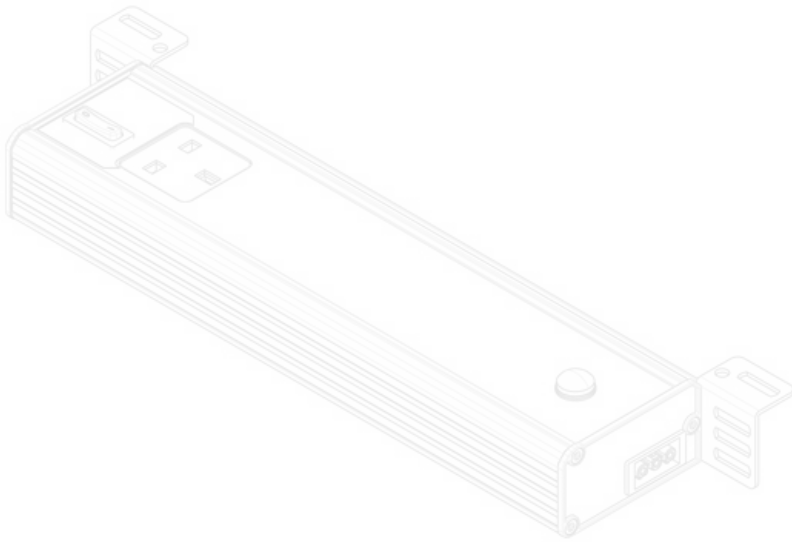
ArtNr.	81402	Version	Steckdose_U S_Typ_B_NEM
EAN			A-5
Antal	1		Door
UL-certifikat	cURus (in progress)	Connection possibilities	operated switch, Through- wiring, Feed- in
Längd	347,2 mm	Connector type	GST 18 socket
Höjd	48 mm	Rated power	9 W
Bredd	112,6 mm	Operating voltage	100 - 240 V AC
		Test standard	EN 60598, EN 62471, EN 55015, EN 61000
		Protection class	I (Protective conductor connection)
		Guidelines	2014/35/EU, 2014/30/EU
		Service life	50.000 h
		Energy efficiency class	F
		Consumption kWh/1000 h	13
		Colour temperature	5.600 K
		Colour rendering index CRI	>80
		Luminous flux	1.280 lm



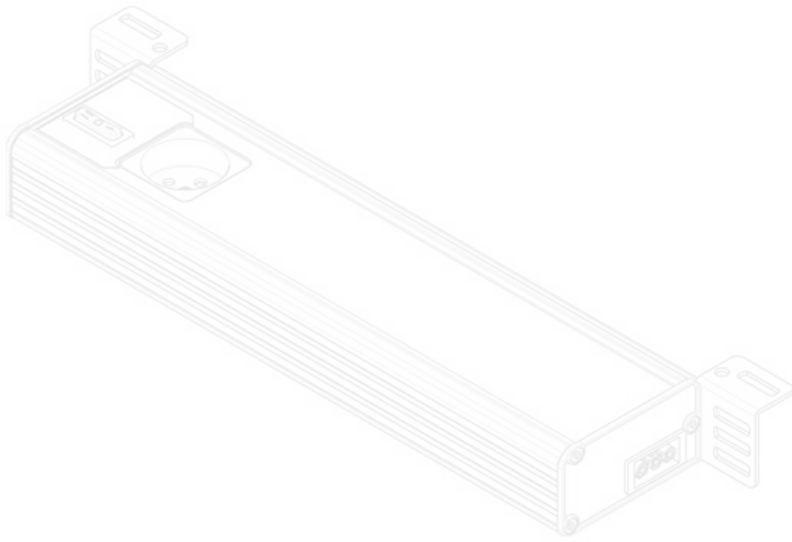
ArtNr.	81400	Version	PIR motion detector,
EAN	4251269333		Steckdose_U
	477		S_Typ_A_NEM
Antal	1		A-5
UL-certifikat	cURus (in	Connection possibilities	Feed-in,
	progress)		Through-
Längd	347,2 mm	Connector type	wiring
Höjd	48 mm	Rated power	GST 18
Bredd	112,6 mm	Operating voltage	socket
		Test standard	9 W
			100 - 240 V
			AC
		Protection class	EN 60598,
			EN 62471,
			EN 55015,
			EN 61000
		Guidelines	I (Protective
			conductor
		Service life	connection)
		Energy efficiency class	2014/35/EU,
			2014/30/EU
		Consumption kWh/1000 h	50.000 h
		Colour temperature	F
		Colour rendering index CRI	13
		Luminous flux	5.600 K
			>80
			1.280 lm



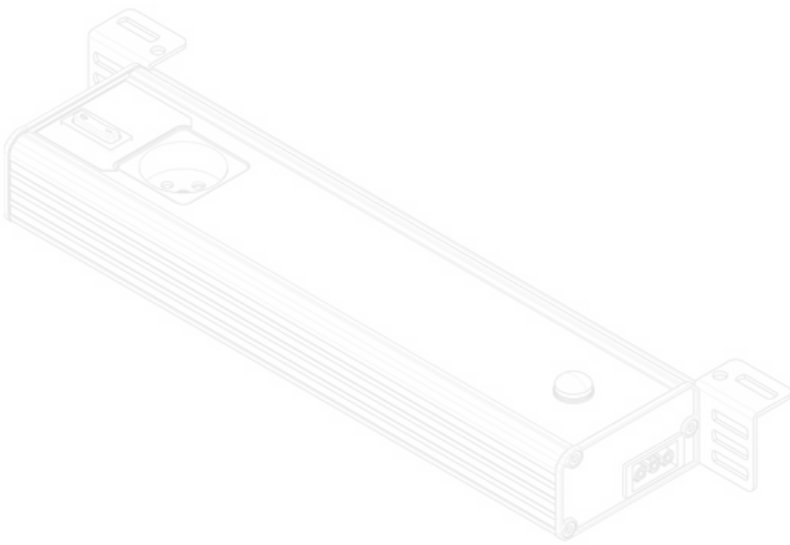
ArtNr.	81303	Connection possibilities	Door operated switch, Through-wiring, Feed-in
EAN	4251269332913	Connector type	GST 18 socket
Antal	1	Rated power	12 W
Längd	347,2 mm	Operating voltage	230 V AC +/-5%, 50 - 60 Hz
Höjd	48 mm	Test standard	EN 60598, EN 62471, EN 55015, EN 61000
Bredd	112,6 mm	Protection class	I (Protective conductor connection)
Version	Socket GB (Type G, BS 1363)	Guidelines	2014/35/EU, 2014/30/EU
		Service life	50.000 h
		Energy efficiency class	F
		Consumption kWh/1000 h	13
		Colour temperature	5.600 K
		Colour rendering index CRI	>80
		Luminous flux	1.350 lm



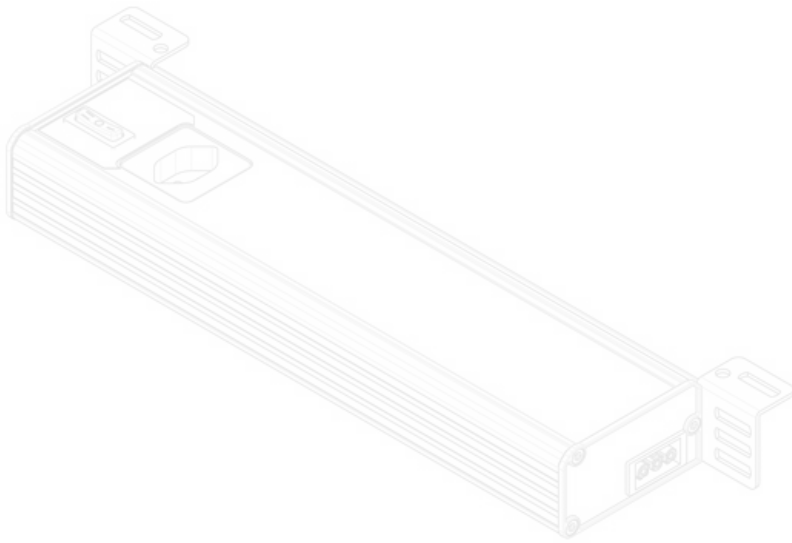
ArtNr.	81307	Connection possibilities	Feed-in, Through-wiring
EAN	4251269332951	Connector type	GST 18 socket
Antal	1	Rated power	12 W
Längd	347,2 mm	Operating voltage	230 V AC +/-5%, 50 - 60 Hz
Höjd	48 mm	Test standard	EN 60598, EN 62471, EN 55015, EN 61000
Bredd	112,6 mm	Protection class	I (Protective conductor connection)
Version	Socket GB (Type G, BS 1363), PIR motion detector	Guidelines	2014/35/EU, 2014/30/EU
		Service life	50.000 h
		Energy efficiency class	F
		Consumption kWh/1000 h	13
		Colour temperature	5.600 K
		Colour rendering index CRI	>80
		Luminous flux	1.350 lm



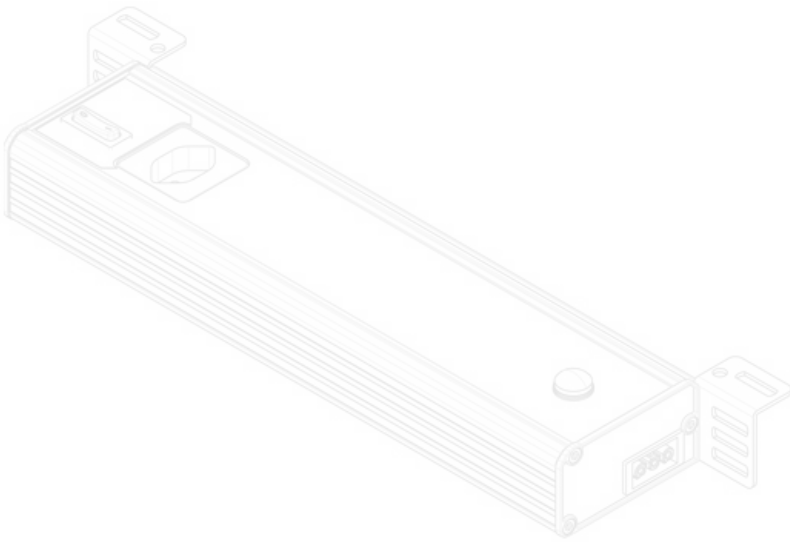
ArtNr.	81301	Connection possibilities	Door operated switch, Through-wiring, Feed-in
EAN	4251269332890	Connector type	GST 18 socket
Antal	1	Rated power	12 W
Längd	347,2 mm	Operating voltage	230 V AC +/-5%, 50 - 60 Hz
Höjd	48 mm	Test standard	EN 60598, EN 62471, EN 55015, EN 61000
Bredd	112,6 mm	Protection class	I (Protective conductor connection)
Version	Socket F/B (Type E, CEE 7/5)	Guidelines	2014/35/EU, 2014/30/EU
		Service life	50.000 h
		Energy efficiency class	F
		Consumption kWh/1000 h	13
		Colour temperature	5.600 K
		Colour rendering index CRI	>80
		Luminous flux	1.350 lm



ArtNr.	81305	Connection possibilities	Feed-in, Through-wiring
EAN	4251269332	Connector type	GST 18 socket
Antal	1	Rated power	12 W
Längd	347,2 mm	Operating voltage	230 V AC +/-5%, 50 - 60 Hz
Höjd	48 mm	Test standard	EN 60598, EN 62471, EN 55015, EN 61000
Bredd	112,6 mm	Protection class	I (Protective conductor connection)
Version	PIR motion detector, Socket F/B (Type E, CEE 7/5)	Guidelines	2014/35/EU, 2014/30/EU
		Service life	50.000 h
		Energy efficiency class	F
		Consumption kWh/1000 h	13
		Colour temperature	5.600 K
		Colour rendering index CRI	>80
		Luminous flux	1.350 lm



ArtNr.	81302	Connection possibilities	Door operated switch, Through-wiring, Feed-in
EAN	4251269332906	Connector type	GST 18 socket
Antal	1	Rated power	12 W
Längd	347,2 mm	Operating voltage	230 V AC +/-5%, 50 - 60 Hz
Höjd	48 mm	Test standard	EN 60598, EN 62471, EN 55015, EN 61000
Bredd	112,6 mm	Protection class	I (Protective conductor connection)
Version	Socket CH (Type J, SEV 1011)	Guidelines	2014/35/EU, 2014/30/EU
		Service life	50.000 h
		Energy efficiency class	F
		Consumption kWh/1000 h	13
		Colour temperature	5.600 K
		Colour rendering index CRI	>80
		Luminous flux	1.350 lm



ArtNr.	81306	Connection possibilities	Feed-in, Through-wiring
EAN	4251269332944	Connector type	GST 18 socket
Antal	1	Rated power	12 W
Längd	347,2 mm	Operating voltage	230 V AC +/-5%, 50 - 60 Hz
Höjd	48 mm	Test standard	EN 60598, EN 62471, EN 55015, EN 61000
Bredd	112,6 mm	Protection class	I (Protective conductor connection)
Version	PIR motion detector, Socket CH (Type J, SEV 1011)	Guidelines	2014/35/EU, 2014/30/EU
		Service life	50.000 h
		Energy efficiency class	F
		Consumption kWh/1000 h	13
		Colour temperature	5.600 K
		Colour rendering index CRI	>80
		Luminous flux	1.350 lm



ArtNr.	81330	Material cable	PVC
EAN	4251269332968	sheath	
Antal	1		
Length connecting cable	3.000 mm		
Connector type	Ferrules, GST 18 connector		
Operating voltage	230 V AC ±5%, 50 - 60 Hz		
Färg	orange		



ArtNr. **81430** Färg **orange**
EAN Material cable **PVC**
Antal **1** sheath
UL-certifikat **cURus (in progress)**
Length connecting cable **3.000 mm**
Connector type **Ferrules, GST 18 connector**
Operating voltage **230 V AC ±5%, 50 - 60 Hz**



ArtNr. **81331** Material cable **PVC**
EAN **4251269332** sheath
975
Antal **1**
Length connecting cable **600 mm**
Connector type **GST 18 connector, GST 18 socket**
Operating voltage **230 V AC ±5%, 50 - 60 Hz**
Färg **orange**



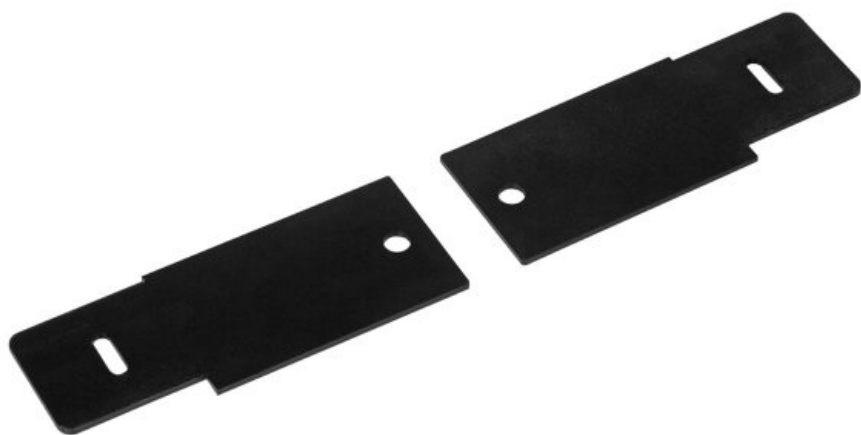
ArtNr. **81431** Färg **orange**
EAN Material cable **PVC**
Antal **1** sheath
UL-certifikat **cURus (in progress)**
Length connecting cable **600 mm**
Connector type **GST 18 connector, GST 18 socket**
Operating voltage **230 V AC ±5%, 50 - 60 Hz**



ArtNr. **81332** Material cable **PVC**
EAN **4251269332** sheath
982
Antal **1**
Length **1.000 mm**
connecting
cable
Connector **GST 18**
type **connector,**
GST 18
socket
Operating **230 V AC**
voltage **±5%, 50 - 60**
Hz
Färg **orange**



ArtNr. **81432** Färg **orange**
EAN Material cable **PVC**
Antal sheath
1
UL-certifikat **cURus (in**
progress)
Length **1.000 mm**
connecting
cable
Connector **GST 18**
type **connector,**
GST 18
socket
Operating **230 V AC**
voltage **±5%, 50 - 60**
Hz



ArtNr. **81337** Skruvhålens **7 mm**
EAN diameter
Antal **2**
Längd **111 mm**
Bredd **43,4 mm**
Färg **svart**
Antal skruvhål **2**



ArtNr.	91008	Skruvhålens	4,2 mm
EAN		diameter	
Antal	1		
Längd	20 mm		
Höjd	5 mm		
Bredd	20 mm		
Antal skruvhål	1		

icotek[®]
smart cable management